

SHARP PARTS GUIDE

CODE : 00ZUP820FUPGE

LEAD-FREE SOLDER MODEL

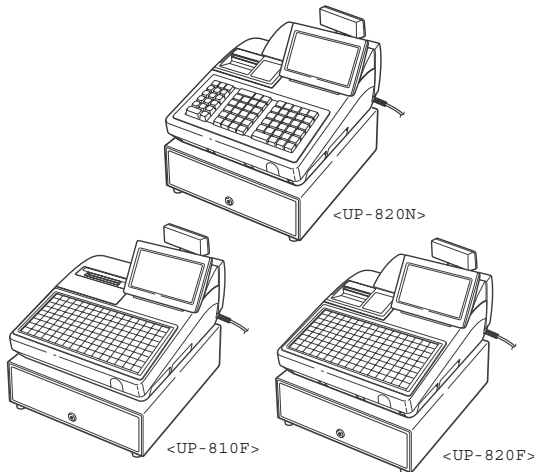
POS TERMINAL

UP-810F

UP-820F

MODEL UP-820N

(U version)



CONTENTS

- 1 Exteriors[UP-810F]
 - 2 Exteriors[UP-820F/820N]
 - 3 Display section
 - 4 Keyboard section[UP-810F/820F]
 - 5 Keyboard section[UP-820N]
 - 6 Packing material & Accessories
 - 7 Drawer box unit(SJ-420 type)
 - 8 SUB PWB unit[UP-810F]
 - 9 SUB PWB unit[UP-820F]
 - 10 SUB PWB unit[UP-820N]
 - 11 CPU PWB unit
 - 12 Key I/F PWB unit
 - 13 T/P I/F PWB unit
 - 14 Articles for consumption
 - 15 Service tools
- index

Parts marked with "△" are important for maintaining the safety of the set. be sure to replace these parts with specified ones for maintaining the safety and performance of the set.

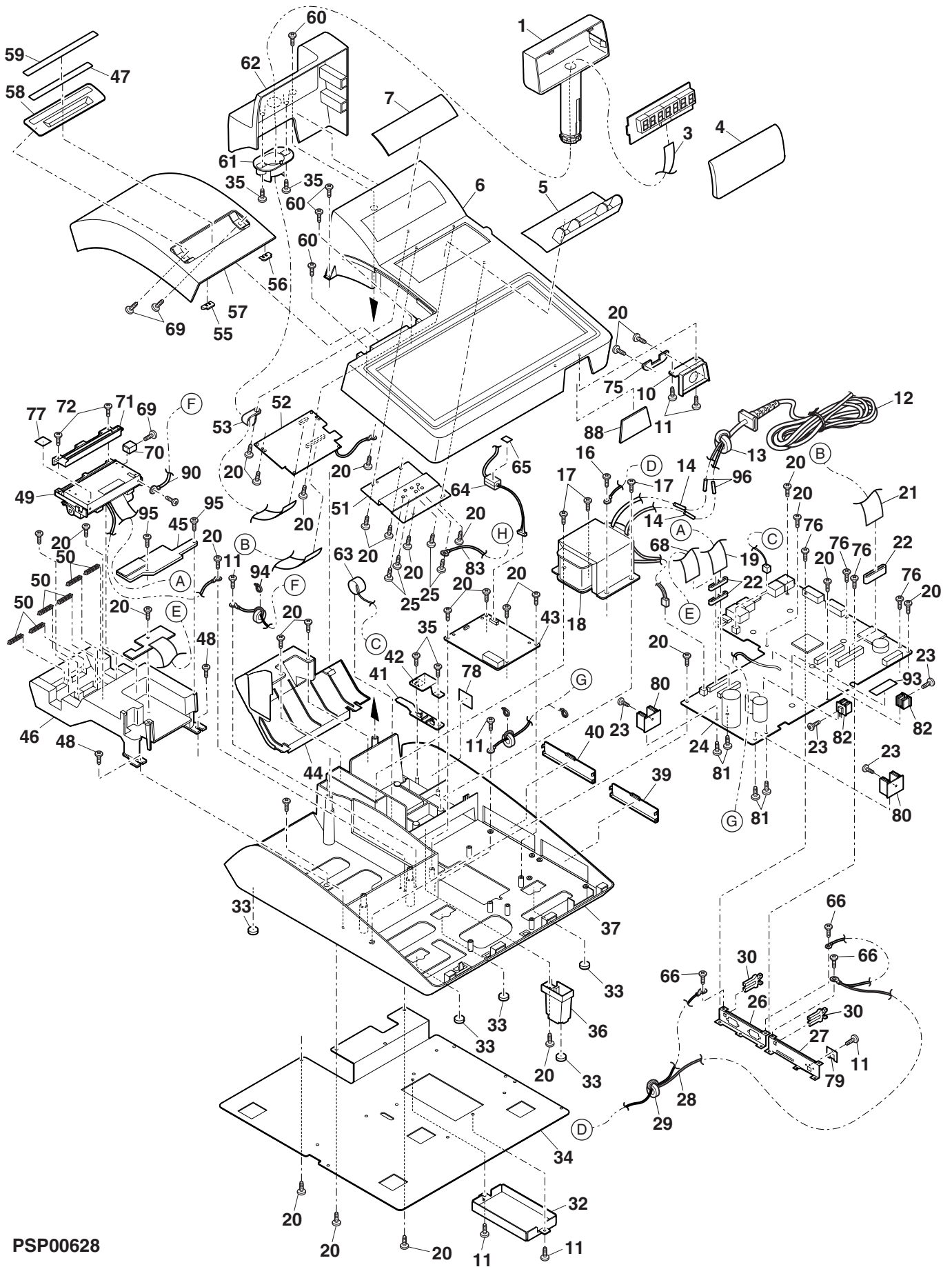
SHARP CORPORATION

This document has been published to be used for after sales service only.
The contents are subject to change without notice.

1 Exteriors[UP-810F]

NO.	PARTS CODE	PRICE RANK	NEW MARK	PART RANK	DESCRIPTION
1	0GS6162410///	AN		D	Pop-up-cabinet(M:ABS 94V0(PA-764) C:H-670)
3	0GS5114580///	AG		C	FFC(L:4+450+4mm 15PIN P:1.0mm SUPPORT TAPE L:7mm (SAME SIDE)) [for POPUP]
4	0GS6146310///	AL		D	Pop-up-filter(M:PC 94V0 C:BS-202)
5	0GS6131750///	AH		D	6.5inch Tilt cover(M:ABS 94V0(PA-764) C:GRAY PB-N3.0)
6	0GS6114420///	AZ		D	Top cabinet(M:ABS 94V0(PA-764) C:GRAY PB-N3.0)
7	0GS6131760///	AF		D	3L LCD cover(M:ABS 94V0(PA-764) C:GRAY PB-N3.0)
10	0GS6180730///	AE		C	Clerk key supporter(M:ABS 94V0(PA-764) C:GRAY PB-N3.0)
11	0GS6808025///	AB		C	Screw(PM-3//4.0+NI,SM,WD//ST,L4A)
△ 12	0GS5423540///	AT	N	B	Power cord(18AWG#3C UL/CSA TYPE SPT-2)
13	0GS3111580///	AF		C	Ferrite core(HF70 T22*10*14A) [for POWER CORD]
14	0GS5441470///	AA		C	Insulation sleeve(C:BLACK ID:6mm L:50mm)
16	0GS6802014///	AB		C	Screw(BM4//20+NI,SM,WD//DT,L20//A) [for TRANSFORMER GRD]
17	0GS6512410///	AA		C	Screw(4x10) [for TRANS&B/C]
△ 18	0GS3130370///	BQ	N	B	Transformer(INPUT 120V/60HZ OUTPUT DC 33V DC 2500mA SIT66059U)
19	0GS5114020///	AL		C	FFC(1.25PITCH 28PIN L:4+220+4mm SAME SIDE) [for printer]
20	0GS6890211///	AA		C	Screw(BTP3//8+NI,SM,WD//,ST,L8//A)
21	0GS5114210///	AK		C	FFC(1.25PITCH 34PIN L:4+250+4mm SUPPORT TAPE L:10mm(SAME SIDE)) [for SUB-KIF BOARD]
22	0GS3111760///	AH		C	Ferrite core(DDY 49.6*6.5*12-LF(mm)) [for MB- KIF FFC,for PRINTER FFC]
23	0GS6841602///	AA		C	Screw(PM-3//x6//+NI,SM,WD//,ST,L6//A) [for PRINTER 80 AUTO CUTTER,for HIT SINK]
24	0GSUP811F40///	CX		E	Sub PWB unit
25	0GS6808009///	AB		C	Screw(M3)(PM3//6.0+NI,SM,WD6//,S,L4.0A) [for HINGE,HINGE PLATE]
26	0GS6348430///	AM		C	RS-232 angle(M:SECC+PRINTING t=0.8)
27	0GS6348450///	AM		C	Reset SW/SD angle(M:SECC+PRINTING t=0.8)
28	0GS5435010///	AG		C	GND wire(AWG#18 L:210+310+50mm C:BLACK WITH TERMINAL)[TRANS to RS&SD ANGLE]
29	0GS3112040///	AH		C	Ferrite core(TC-16-8-13) [PRINTER to MAIN CHASSIS, TRANS to RS&SD ANGLE]
30	0GS6411510///	AF		C	Door lock(M:PLASTIC) [for RS232 ANGLE,SW/SD ANGLE]
32	0GS6348520///	AL		D	Memory cover(M:SECC T=0.8mm)
33	0GS6324060///	AD		D	Gum leg(M:SILICONE S:65 C:BLACK)
34	0GS6348421///	AZ		D	Main chassis(M:SECC t=0.8)
35	0GS6891111///	AA		C	Screw(PTP3//x12/+NI,SM,WD//,DT,L12/A) [POWER SW HOLDER&BOTTOM CAB]
36	0GS6131840///	AF		D	Trans cover(M:ABS 94V0(PA-764) C:GRAY PB-N2.0)
37	0GS6124910///	AW	N	D	Bottom cabinet(M:ABS 94V0(PA-764) C:GRAY PB-N2.0)
39	0GS6131801///	AE	N	D	RS-232 cover(M:ABS 94V0(PA-764) C:GRAY PB-N2.0)
40	0GS6131771///	AD	N	D	USB/SD cover(M:ABS 94V0(PA-764)C:GRAY PB-N2.0)
41	0GS6180820///	AD		C	Upper power sw.holder(M:ABS 94V0(PA-764) C:GRAY PB-N2.0)
42	0GS6180830///	AD		C	Lower power sw.holder(M:ABS 94V0(PA-764) C:GRAY PB-N2.0)
43	0GSUP820FU41	CU	N	E	CPU PWB unit
44	0GS6131810///	AN		D	Cable cover(M:ABS 94V0(PA-764) C:GRAY PB-N3.0)
45	0GS6131830///	AF		D	P cover 80(M:ABS 94V0(PA-764) C:BLACK)
46	0GS6180770///	AF		D	Printer frame(M:ABS 94V0(PA-764) C:GRAY PB-N3.0)
47	0GS6181150///	AC		D	Printer frame cover(M:ABS 94V0(PA-764))
48	0GS6807037///	AB		C	Screw(PTP 3*12//+NI,SM,WD 9//,ST,L12//A)
49	0GS5700210///	CB		E	Printer(LT1320CS ONE SHEET)
50	0GS6162160///	AF		C	Roller 80(M:POM 94HB C:NATURAL)
51	0GS6348460///	AN		C	Tilt angle(M:SECC t=1.0)
52	0GSUP820F42///	BW		E	Key I/F PWB unit
53	0GS6162500///	AC		D	FPC frame(ABC 94V0(PA-764) BLACK)
55	0GS6162140///	AC		C	Printer cover hook-L(M:ABS 94V0(PA-764) C:GRAY PB-N3.0)
56	0GS6162150///	AC		C	Printer cover hook-R(M:ABS 94V0(PA-764) C:GRAY PB-N3.0)
57	0GS6131740///	AY		D	1 sheet printer cover(M:ABS 94V0(PA-764) C:GRAY PB-N3.0)
58	0GS6180800///	AU		D	P frame 80(M:ABS 94V0(PA-764) C:BLACK)
59	0GS6350210///	AF		D	Printer-deco-panel(M:PC SHEET 94V2 C:TRANSPARENCY T=0.25mm)
60	0GS6801021///	AC		C	Screw(BTP4//15+NI,SM,WD//,DT,L15/A) [for TOP AND BOTTOM CABINET]
61	0GS6180750///	AF		D	Pop up frame(M:ABS 94V0(PA-764) C:GRAY PB-N3.0)
62	0GS6131820///	AW		D	Rear cover(M:PC 94V0 C:H-670)
△ 63	0GS9100930///	AW		B	Battery(GP250BVH*3 250mAh 3.6V)
64	0GS3111820///	AH		C	Ferrite core(ZLF-65B) [for LCD CABLE]
65	0GS6350620///	AF		C	EVA(M:BF-1000 SHORE 20-25 C:WHITE) [for CORE]
66	0GS6808022///	AC		C	Screw(M3x6) [for RS-232 ANGLE, SW/SD ANGLE, AUTO CUTTER]
68	0GS5114490///	AF		C	FFC(18PIN P:1.0mm L:4+180+4mm SAME SIDE) [for J2(PIF PWB)]
69	0GS6889611///	AA		C	Screw(PTP3//x6//+NI,SM,WD//,ST,L6//A) [for OPEN LEVER]
70	0GS6162180///	AH		C	Open lever(M:POM 94HB C:GREEN)
71	0GS6162190///	AH		C	Cutter guide(M:ABS 94V0 C:BLACK)
72	0GS6821211///	AA		C	Screw(PTP 2*5//+NI SM WD// ST L5//A) [for CUTTER GUIDE]
75	0GS6181140///	AC		C	Fixing plate(M:ABS 94V0(PA-764))
76	0GS6809009///	AB		C	Screw(PMT3*6/+NI,SM,WD8SP L3/A) [for OPTION ANGT&SUB PWB]
77	0GS9465930///	AD		D	Printer label
78	0GS9467180///	AE	N	D	Spec label(50*43mm)
79	0GS6348570///	AD		D	Reset SW cover(M:SECC T=1.0)
80	0GS6252740///	AH		C	Heat sink 2(M:AL)
81	0GS6812001///	AC		C	Screw(PTS3.6//8/NI,SM,WD//DT,L8A) [for HINT SIK2]
82	0GS6252750///	AH		C	Heat sink
83	0GS5435050///	AE		C	GND wire(AWG#18 115mm C:BLACK WITH TERMINAL) [TITLE ANGLE to KEY FRAME]
88	0GS6131790///	AD		D	Clerk key cover(M:ABS 94V0(PA-764) C:GRAY PB-N3.0)
90	0GS5435020///	AE		C	GND wire(C:BLACK AWG#18 L:260mm WITH TERMINAL) [PRINTER to MAIN CHASSIS]
93	0GS9466040///	AC		D	MAC address No label(L35*W9mm) [for SUB PWB]
94	0GS6317460///	AB		C	Nylon cable tie(M:NYLON S=4*150mm) [for core wire]
95	0GS6807018///	AC		C	Screw(PTP3//7/NI,SM,WD//DT,L7A) [PRINTER COVER&PRINTER FRAME]
96	0GS5441460///	AA		C	Insulation sleeve(C:BLACK ID:5mm L:50mm) [for POWER CORD]

1 Exteriors[UP-810F]

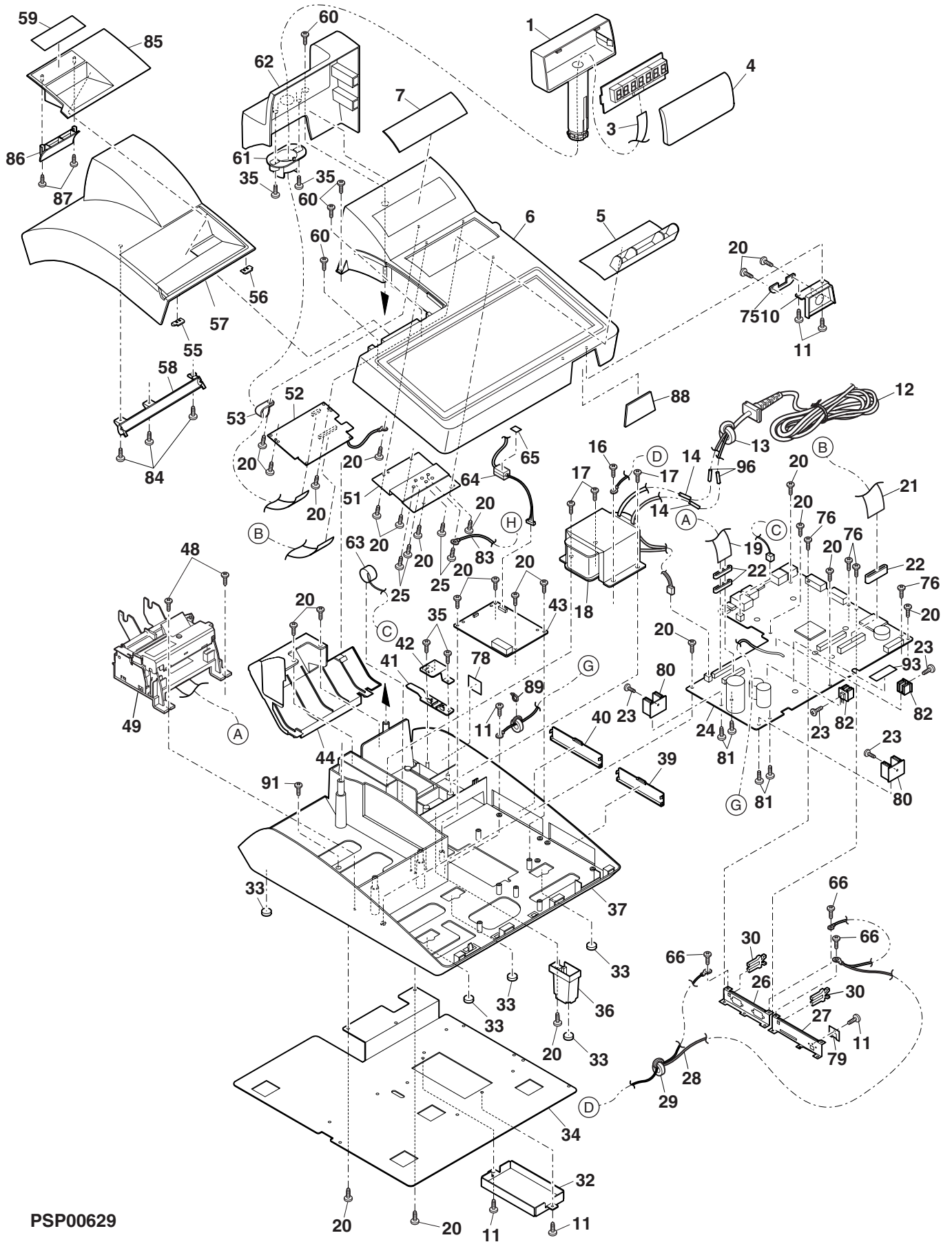


PSP00628

2 Exteriors[UP-820F/820N]

NO.	PARTS CODE	PRICE RANK	NEW MARK	PART RANK	DESCRIPTION
1	0GS6162410///	AN		D	Pop-up-cabinet(M:ABS 94V0(PA-764) C:H-670)
3	0GS5114580///	AG		C	FFC(L:4+450+4mm 15PIN P:1.0mm SUPPORT TAPE L:7mm (SAME SIDE)) [for POP UP]
4	0GS6146310///	AL		D	Pop-up-filter(M:PC 94V0 C:BS-202)
5	0GS6131750///	AH		D	6.5inch Tilt cover(M:ABS 94V0(PA-764) C:GRAY PB-N3.0)
6	0GS6114420///	AZ		D	Top cabinet(M:ABS 94V0(PA-764) C:GRAY PB-N3.0)
7	0GS6131760///	AF		D	3L LCD cover(M:ABS 94V0(PA-764) C:GRAY PB-N3.0)
10	0GS6180730///	AE		C	Clerk key supporter(M:ABS 94V0(PA-764) C:GRAY PB-N3.0)
11	0GS6808025///	AB		C	Screw(PM-3//4.0+NI,SM,WD//ST,L4A)
12	0GS5423540///	AT	N	B	Power cord(18AWG#3C UL/CSA TYPE SPT-2)
13	0GS3111580///	AF		C	Ferrite core(HF70 T22*10*14A) [for POWER CORD]
14	0GS5441470///	AA		C	Insulation sleeve(C:BLACK ID:6mm L:50mm) [FOR POWER CORD]
16	0GS6802014///	AB		C	Screw(BM4//20+NI,SM,WD//DT,L20//A) [for TRANSFORMER]
17	0GS6512410///	AA		C	Screw(4x10) [for TRANS&BOTTOM CAB]
18	0GS3130370///	BQ	N	B	Transformer(INPUT 120V/60HZ OUTPUT DC 33V DC 2500mA SIT66059U)
19	0GS5113050///	AH		C	FFC(L:4+260+4mm 40PIN P:1.0mm SUPPORT TAPE L:7mm(same side)) [for 2 SHEET PRINTER]
20	0GS6890211///	AA		C	Screw(BTP3//8+NI,SM,WD//,ST,L8//A)
21	0GS5114210///	AK		C	FFC(1.25PITCH 34PIN L:4+250+4mm SUPPORT TAPE L:10mm(SAME SIDE))
22	0GS3111760///	AH		C	Ferrite core(DDY 49.6*6.5*12-LF(mm)) [for PRINTER FFC,for KIF]
23	0GS6841602///	AA		C	Screw(PM-3//x6//+NI,SM,WD//,ST,L6//A) [for HIT SINK]
24	0GSUP820FU40/	CX	N	E	Sub PWB unit [UP-820F]
	0GSUP820NU40/	CX	N	E	Sub PWB unit [UP-820N]
25	0GS6808009///	AB		C	Screw(M3)(PM3//6.0+NI,SM,WD6//,S,L4.0A) [for HINGE&HINGE PLATE]
26	0GS6348430///	AM		C	RS-232 angle(M:SECC+PRINTING t=0.8)
27	0GS6348450///	AM		C	Reset SW/SD angle(M:SECC+PRINTING t=0.8)
28	0GS5435010///	AG		C	GND wire(AWG#18 L:210+310+50mm C:BLACK WITH TERMIANL) [TRANS to RS& SD ANGLE]
29	0GS3112040///	AH		C	Ferrite core(TC-16-8-13) [TRANS TO&SD ANGLE]
30	0GS6411510///	AF		C	Door lock(M:PLASTIC) [for RS232 ANGLE;SW/SD ANGLE]
32	0GS6348520///	AL		D	Memory cover(M:SECC T=0.8mm)
33	0GS6324060///	AD		D	Gum leg(M:SILICONE S:65 C:BLACK)
34	0GS6348421///	AZ		D	Main chassis(M:SECC t=0.8)
35	0GS6891111///	AA		C	Screw(PTP3//x12+NI,SM,WD//,DT,L12/A) [POWER SW HOLDER]
36	0GS6131840///	AF		D	Trans cover(M:ABS 94V0(PA-764) C:GRAY PB-N2.0)
37	0GS6124910///	AW	N	D	Bottom cabinet(M:ABS 94V0(PA-764) C:GRAY PB-N2.0)
39	0GS6131801///	AE	N	D	RS-232 cover(M:ABS 94V0(PA-764) C:GRAY PB-N2.0)
40	0GS6131771///	AD	N	D	USB/SD cover(M:ABS 94V0(PA-764)C:GRAY PB-N2.0)
41	0GS6180820///	AD		C	Upper power sw holder(M:ABS 94V0(PA-764) C:GRAY PB-N2.0)
42	0GS6180830///	AD		C	Lower power sw holder(M:ABS 94V0(PA-764) C:GRAY PB-N2.0)
43	0GSUP820FU41/	CU	N	E	CPU PWB unit
44	0GS6131810///	AN		D	Cable cover(M:ABS 94V0(PA-764) C:GRAY PB-N3.0)
48	0GS6807007///	AA		C	Screw(PTP3.0*10/+Z3,SM,WD10,DT,L10/A) [for 58 HOUSING & BOTTOM CAB]
49	0GSPR58H61///	CA		E	Printer-58A unit
51	0GS6348460///	AN		C	Tilt angle(M:SECC t=1.0)
52	0GSUP820F42//	BW		E	Key I/F PWB unit [UP-820F]
	0GSUP820N42//	BW		E	Key I/F PWB unit for UP820N [UP-820N]
53	0GS6162500///	AC		D	FPC frame(ABC 94V0(PA-764) BLACK)
55	0GS6162140///	AC		C	Printer cover hook-L(M:ABS 94V0(PA-764) C:GRAY PB-N3.0)
56	0GS6162150///	AC		C	Printer cover hook-R(M:ABS 94V0(PA-764) C:GRAY PB-N3.0)
57	0GS6131730///	AX		D	2 Sheet Printer cover(M:ABS 94V0(PA-764) C:GRAY PB-N3.0)
58	0GS6180790///	AL		D	P frame 58(M:ABS 94HB C:BLACK)
59	0GS6312120///	AG		D	Printer deco panel-2(M:PC+PRINTING 94V2) [UP-820F]
	0GS6350200///	AG		D	Printer deco panel(M:PC SHET 94V2 C:TRANSPARENCY T=0.25mm) [UP-820N]
60	0GS6801021///	AC		C	Screw(BTP4//15+NI,SM,WD//,DT,L15/A) [for TOP AND BOTTOM CABINET]
61	0GS6180750///	AF		D	Pop up frame(M:ABS 94V0(PA-764) C:GRAY PB-N3.0)
62	0GS6131820///	AW		D	Rear cover(M:PC 94V0 C:H-670)
63	0GS9100930///	AW		B	Battery(GP250BVH*3 250mAh 3.6V)
64	0GS3111820///	AH		C	Ferrite core(ZLF-65B) [for LCD CABLE]
65	0GS6350620///	AF		C	EVA(M:BF-1000 SHORE 20-25 C:WHITE) [for CORE]
66	0GS6808031///	AC		C	Screw(PM-3//4.0+NI,SM,SP6//ST,L4A)
75	0GS6181140///	AC		C	Fixing plate(M:ABS 94V0(PA-764)) [for CLERK KEY SUPPORTER]
76	0GS6809009///	AB		C	Screw(PMT3*6/+NI,SM,WD8SP L3/A) [for OPTION ANGLE&SUB PWB]
78	0GS9467200///	AE	N	D	Spec label(50*43mm) [UP-820F]
	0GS9467220///	AE	N	D	Spec label(50*43mm) [UP-820N]
79	0GS6348570///	AD		D	Reset SW cover(M:SECC T=1.0)
80	0GS6252740///	AH		C	Heat sink 2(M:AL)
81	0GS6812001///	AC		C	Screw(PTS3.6//8/NI,SM,WD//DT,L8A) [for HIT SINK 2]
82	0GS6252750///	AH		C	Heat sink
83	0GS5435050///	AE		C	GND wire(AWG#18 115mm C:BLACK WITH TERMINAL) [TITLE ANGLE TO KEY FRAME [UP-810F/820F]]
84	0GS6821611///	AA		C	Screw(PTP2//x6//+NI,SM,WD//,ST,L6//A) [for AUTOJOURNAL FILTER&FILTER SUPPORTER]
85	0GS6146130///	AN		D	Auto journal filter(M:PC 94V0 C:BS-200)
86	0GS6180760///	AE		C	Filter supporter(M:ABS 94V0(PA-764) C:GRAY PB-N3.0)
87	0GS6807036///	AA		C	Screw(PTP2//6/+NI,SM,WD5//,DT,L6/A) [for FILTER SUPPORTER&PRINTER COVER]
88	0GS6131790///	AD		D	Clerk key cover(M:ABS 94V0(PA-764) C:GRAY PB-N3.0)
89	0GS5441490///	AD		C	Cable tie
91	0GS6808046///	AB		C	Screw(PM4//6+NI,SM,SP6.5//ST, L6//A)
93	0GS9466040///	AC		D	MAC address No label(L35*W9mm)
96	0GS5441460///	AA		C	Insulation sleeve(C:BLACK ID:5mm L:50mm) [FOR POWER CORD]

2 Exteriors[UP-820F/820N]

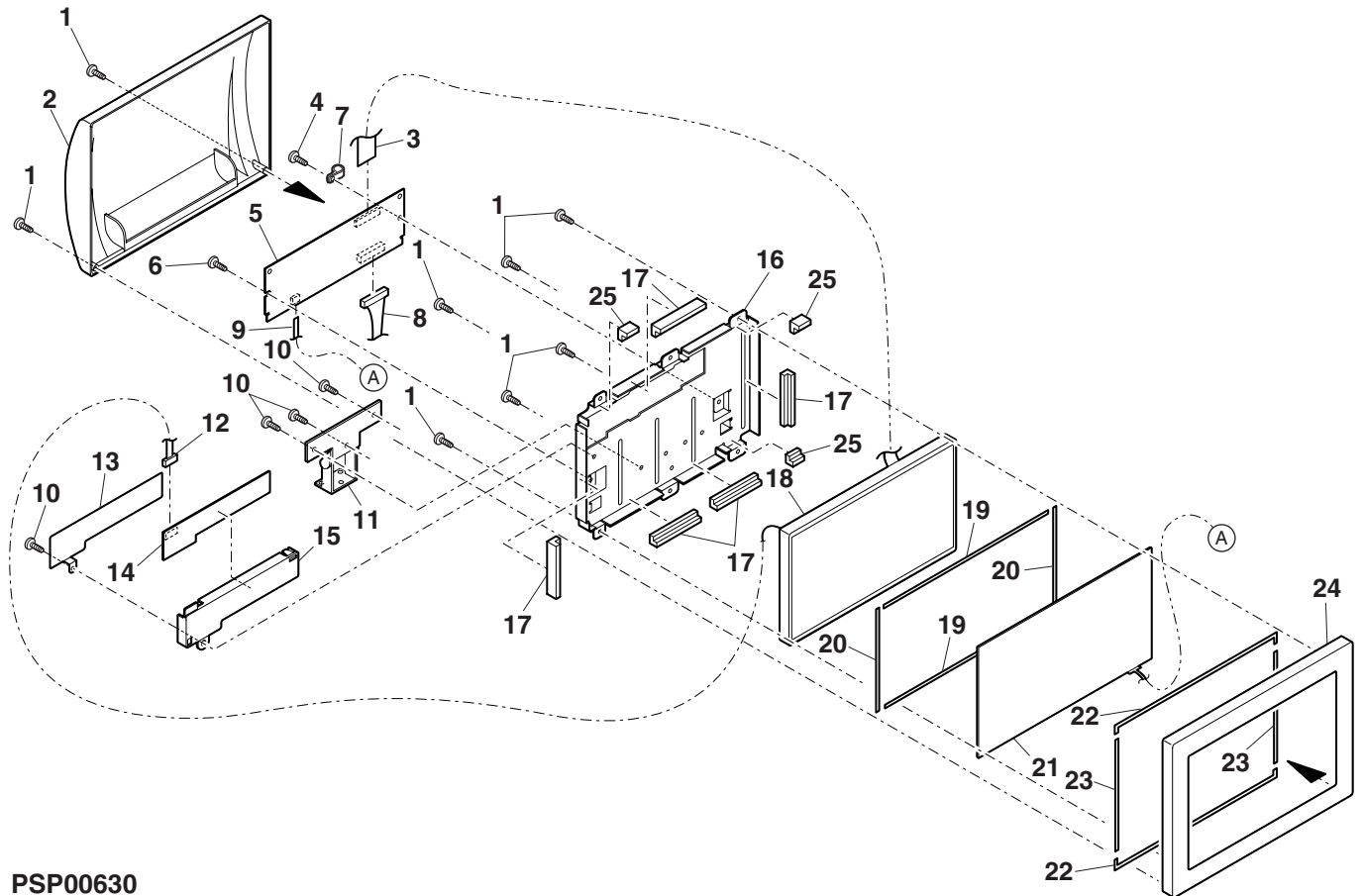


PSP00629

3 Display section

NO.	PARTS CODE	PRICE RANK	NEW MARK	PART RANK	DESCRIPTION
1	0GS6890211///	AA		C	Screw(BTP3//*8+NI,SM,WD//,ST,L8//A) [for 65INCH CAB F&6.5INCH LCD ANGLE]
2	0GS6124150///	AN		D	6.5inch LCD cab R(M:ABS 94V0(PA-764) C:GRAY PB-N2.0)
3	0GS5114070///	AF		C	FFC(0.5PITCH 40PIN L:4+70+4mm REVERSE SIDE SUPPORT TAPE L:7mm) [for 6.5 LCD]
4	0GS6808002///	AA		C	Screw(PM-3//x8//+NI,SM,WD//,ST,L8//A) [for T/P CABLE]
5	0GSUP800F43//	BC		E	T/P I/F PWB unit
6	0GS6841602///	AA		C	Screw(PM-3//x6//+NI,SM,WD//,ST,L6//A) [for T/P IF PWB]
7	0GS6180970///	AC		C	Cable clamp(5N)(M:ABS) [for T/P CABLE]
8	0GS5114050///	AC		C	Cable(1.0PITCH 30PIN L:270mm) [for TP-CPU BOARD]
9	0GS5114041///	AR		C	Cable(1.0PITCH 8PIN 420mm) [for TP-CPU BOARD]
10	0GS6807001///	AC		C	Screw(PTP3//*5.5+NI, SM, WD//, ST, L5.5//A) [for LCD PLATE&HINGE;INVERTER HOUSING]
11	0GS6348530///	AY		C	Hinge(M:METAL)
12	0GS5114080///	AM		C	Lead wire+connector(1.25PITCH 4PIN L:400mm) [for INVERTER]
13	0GS6312130///	AF		C	Inverter sheet(M:PC 94V0 C:NATURAL)
14	0GS5610200///	BP		E	Inverter(RINV-1014RCPZ IN16096 RJ800)
15	0GS6162170///	AE		D	Inverter housing(M:ABS 94V0(PA-764) C:BLACK)
16	0GS6348470///	AR		C	6.5inch LCD angle(M:SECC t=0.8)
17	0GS6318960///	AN		C	Rubber cushion E(M:SILICONE 50 C:BLACK) [for 65INCH LCD&65INCH LCD ANGLE]
18	0GS4422630///	CK		E	LCD(VVLLB065WQ3-1 6.5 W(400*RGB*240))
19	0GS6315140///	AG		C	Rubber cushion A(M:SILICONE 50 L151.7*W3*H0.6 C:BLACK) [for TOUCH PANEL&65INCH LCD]
20	0GS6316280///	AE		C	Rubber cushion B(M:SILICONE 50 L80*W3*H0.6 C:BLACK) [for TOUCH PANEL&65INCH LCD]
21	0GS4422650///	BP		E	Touch panel(RUITZ3909RCPZXXJ-953-3 155.3*91)
22	0GS6319231///	AF		C	Rubber cushion C(M:SILICONE50 L159.7*W2.3*H0.8 C:BLACK) [for TOUCH PANEL&65INCH CAB F]
23	0GS6318731///	AD		C	Rubber cushion D(M:SILICONE50 L81.8*W2.5*H0.8 C:BLACK) [for TOUCH PANEL&65INCH CAB F]
24	0GS6114430///	AK		D	6.5inch LCD cab F(M:ABS 94V0(PA-764) C:GRAY PB-N3.0)
25	0GS6350610///	AD		C	Rubber cushion F(M:SILICONE L12 C:BLACK) [for LCD ANGLE]

3 Display section

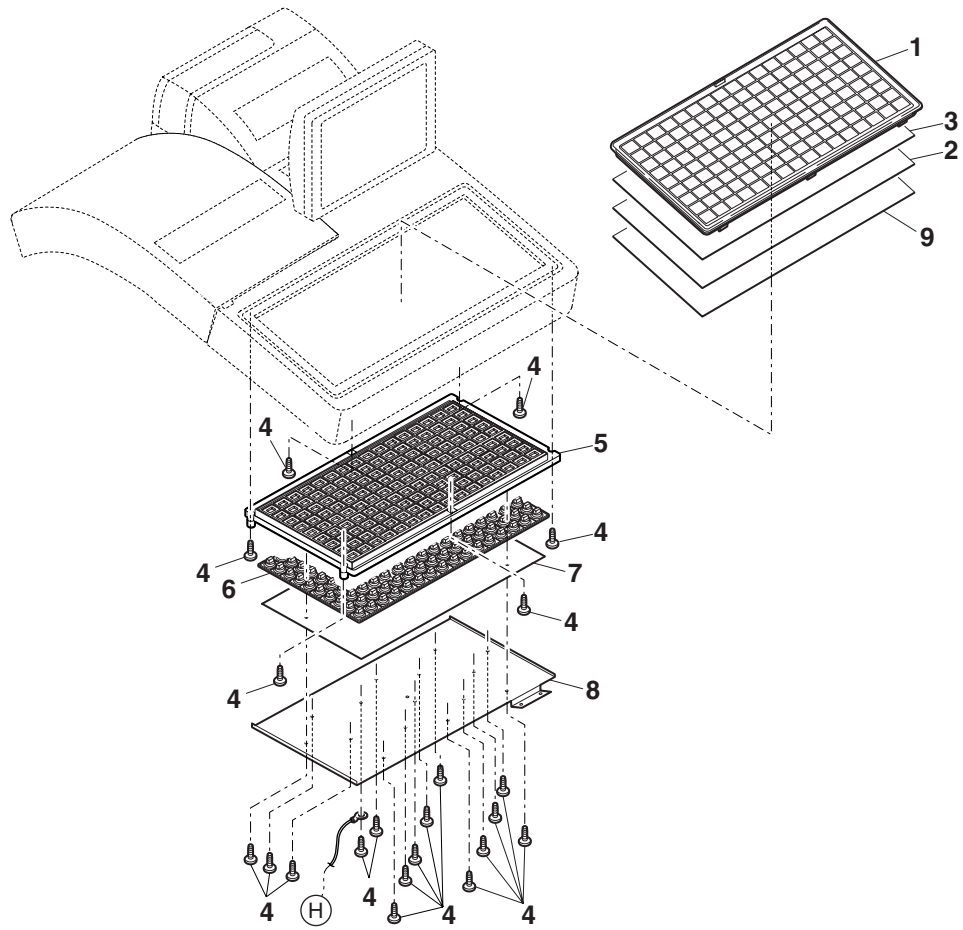


PSP00630

4 Keyboard section[UP-810F/820F]

NO.	PARTS CODE	PRICE RANK	NEW MARK	PART RANK	DESCRIPTION
1	0GS6323580///	AY		D	Key cover-A(M:SILICONE 94HB C:TRANSPARENCE)
2	0GS6350390///	AL		C	Stand key sheet(M:PAPER+PRINT 75g/cm) [UP-810F][for KEY BOARD]
	0GS6312550///	AL		C	Stand key sheet(M:PAPER+PRING 75g/cm2) [UP-820F]
3	0GS6313580///	AH		C	Text pro key sheet(M:PET+PRING T=0.05mm)
4	0GS6890211///	AA		C	Screw(BTP3//8+NI,SM,WD//,ST,L8//A) [for KEY FRAME&BASE PLATE;KEY BOARD&TOP CAB]
5	0GS6180740///	AU		D	Flat key frame(M:ABS 94HB C:NATURAL)
6	0GS5536130///	BC		C	Flat key rubber(M:SILICON 94HB C:NATURAL)
7	0GS5627770///	AR		C	Key sheet(FLAT KEY PET CARBON/AG)
8	0GS6348400///	AV		D	Base plate(M:SECC t=0.8)
9	0GS6323590///	AX		D	Key cover-B(M:SILICONE 94HB C:BLACK)
501	0GSUP820FU61/	CA	N	E	Flat keyboard unit

4 Keyboard section[UP-810F/820F]

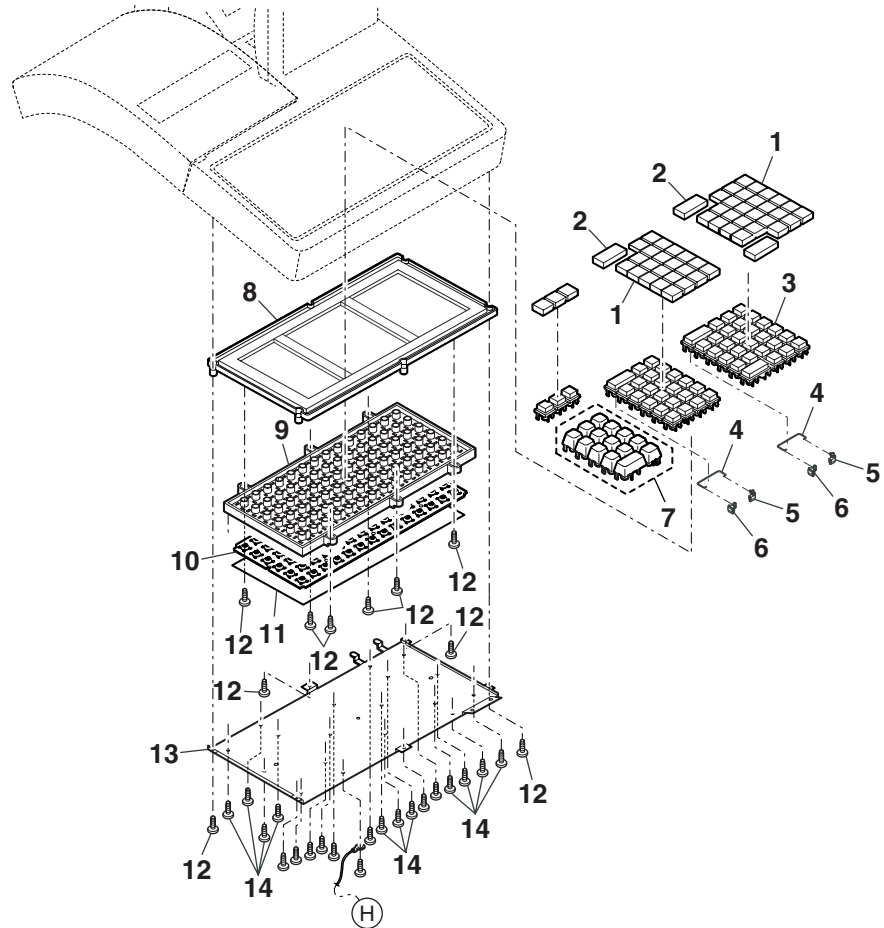


PSP00631

5 Keyboard section[UP-820N]

NO.	PARTS CODE	PRICE RANK	NEW MARK	PART RANK	DESCRIPTION
1	0GS6146160///	AC		D	Key cap(1*1)(M:PC 94V0 C:TRANSPARENCE)
2	0GS6146170///	AC		D	Key cap(1*2)(M:PC 94V0 C:TRANSPARENCE)
3	0GS6411360///	AZ		C	Key top unit
4	0GS6330050///	AC		C	Balance bar(M:SUS 304 d=0.5mm)
5	0GS6158240///	AA		C	Balance holder R(M:POM C:BLACK)
6	0GS6158230///	AA		C	Balance holder L(M:POM C:BLACK)
7	0GS6411590///	BA	N	C	Double color key unit(INCLUDE 14 KEYS ABS 94V0)
8	0GS6131720///	AT		D	Normal key cover(M:ABS 94V0(PA-764) C:GRAY PB-N3.0)
9	0GS6159700///	AT		D	Key frame(M:POM 94HB C:BLACK)
10	0GS6326300///	AZ		C	Key rubber(M:SILICON RUBBER)
11	0GS5627780///	AQ		C	Key sheet(NORMAL KEY PET CARBON/AG)
12	0GS6890211///	AA		C	Screw(BTP3/**8+NI,SM,WD//,ST,L8//A) [for KEY BOARD&TOP CABINET]
13	0GS6348410///	AU		D	Base plate(M:SECC t=0.8)
14	0GS6889611///	AA		C	Screw(PTP3/x6//+NI,SM,WD//,ST,L6//A) [for KEY FRAME&BASE PLATE]
101	0GS9467720///	AD	N	D	Key label 1(M:PAPER+PRING)
102	0GS9467730///	AH	N	D	Key label 2(M:PAPER+PRING)
103	0GS9467740///	AG	N	D	Key label 3(M:PAPER+PRING)
104	0GS6192020///	AD		C	Other 2 times key(M:ABS 94HB C:H-559)
105	0GS6158170///	AA		C	Function key 3(M:ABS 94HB C:GRAY 559)
501	0GSUP820NU61/	CF	N	E	Normal keyboard unit

5 Keyboard section[UP-820N]

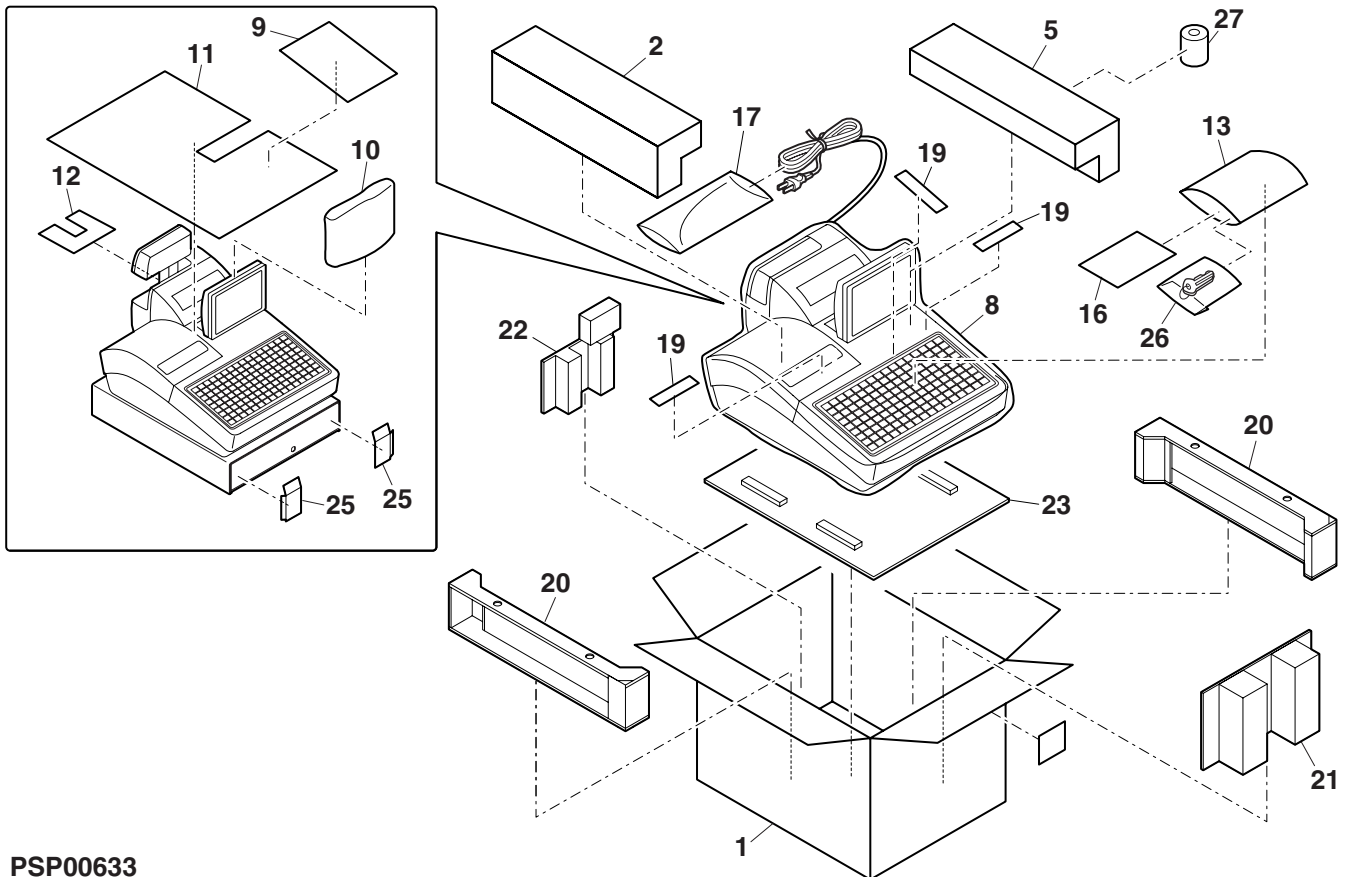


PSP00632

6 Packing material & Accessories

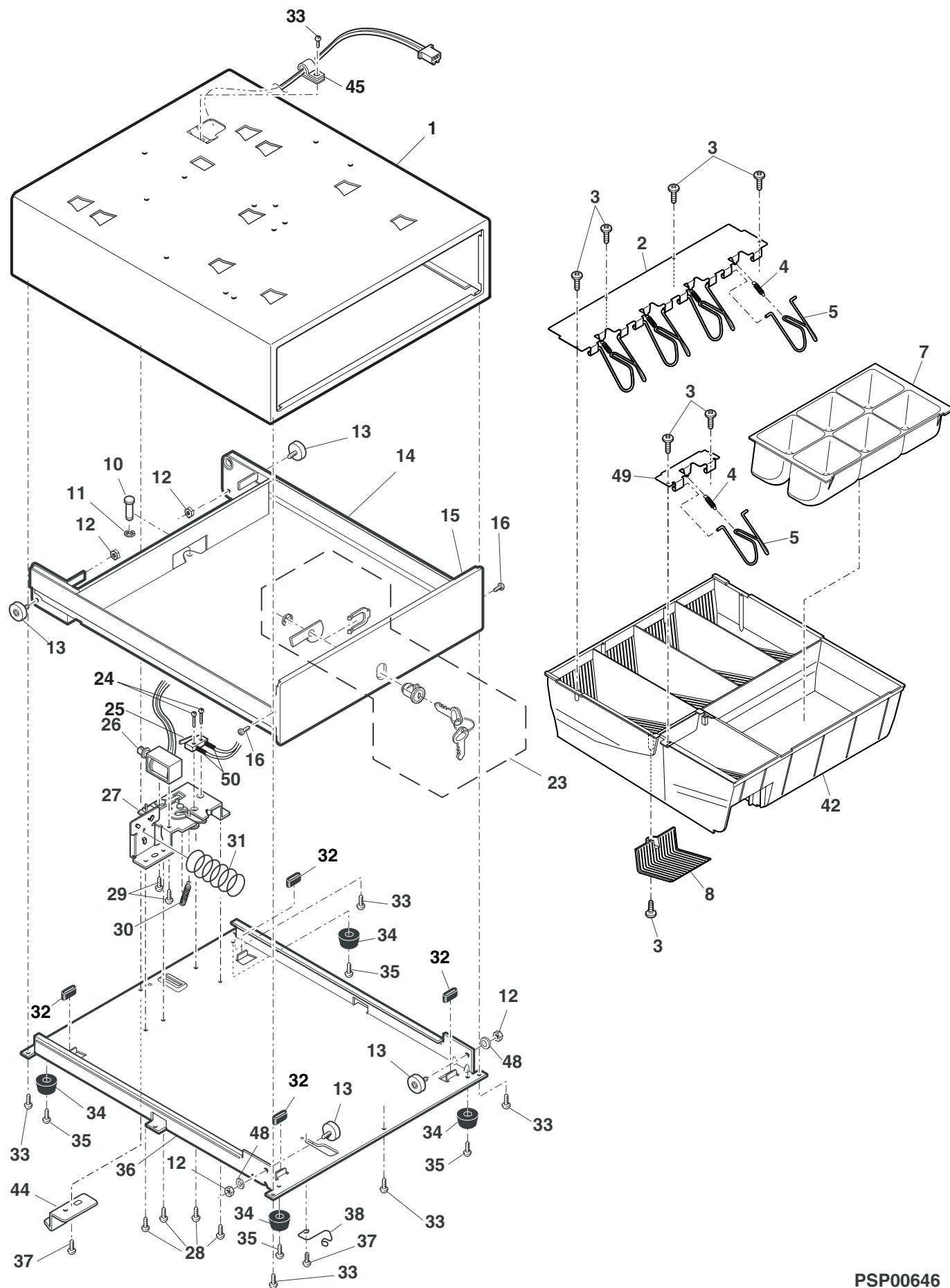
NO.	PARTS CODE	PRICE RANK	NEW MARK	PART RANK	DESCRIPTION
1	0GS9609370///	BA	N	D	Carton(L560*W468*H400mm) [UP-810F]
	0GS9609380///	BA	N	D	Carton(L560*W468*H400mm) [UP-820F]
	0GS9609390///	BA	N	D	Carton(L560*W468*H400mm) [UP-820N]
2	0GS9425000///	AF		D	Pulp mold L-T
5	0GS9425020///	AF		D	Pulp mold R-T
8	0GS9416050///	AL		D	PE sheet(L1700*W1100mm T=0.06) [for SET]
9	0GS9461260///	AD		D	Battery recharge card
10	0GS9416040///	AC		D	EPE bag(T=1mm L190*W215(OPEN)mm) [for MAIN DISPLAY]
11	0GS9467120///	AF		D	EPE sheet(L440*W650mm T=1mm) [for SET]
12	0GS9465940///	AB		D	EPE sheet(115*110mm)
13	0GS9415320///	AC		D	PE bag(L330*W200(OPEN)*0.04mm)
16	0GS9214700///	AM	N	D	Instruction manual(257*182mm) [UP-810F]
	0GS9214710///	AM	N	D	Instruction manual(257*182mm) [UP-820F]
	0GS9214720///	AM	N	D	Instruction manual(257*182mm) [UP-820N]
17	0GS9415780///	AC		D	Pe bag(L600*W140(OPEN) T=0.04mm)
19	0GS9415850///	AG		D	PET sheet(L70*W200mm T=0.125)
20	0GS9426200///	AV		D	Paper pad L-R
21	0GS9426190///	AV		D	Paper pad Back
22	0GS9426180///	AS		D	Paper pad Front
23	0GS9426210///	AQ		D	Paper pad Bottom
25	0GS9424850///	AC		D	Paper pad [for DRAWER CASE UNIT]
26	0GS9414940///	AA		D	PE bag(L130*W90mm T=0.04) [for APPENDANT]
27	0GS9150550///	AN		S	Roll paper(79.5*d30mm) [UP-810F]
	0GS9150500///	AN		S	Roll paper(h=57.5 d=30mm) [UP-820F/820N]
101	0GS6160850///	AE		C	Guide wheel(M:ABS 94HB C:BLACK) [UP-820F/820N]
102	0GS6160980///	AK		C	Spool 58(M:ABS 94HB C:BLACK) [UP-820F/820N]

6 Packing material & Accessories



PSP00633

7 Drawer box unit(SJ-420 type)



PSP00646

8 SUB PWB unit[UP-810F]

NO.	PARTS CODE	PRICE RANK	NEW MARK	PART RANK	DESCRIPTION
2	0GS3111980///	AH		C	Chip core(MMZ1608Y300B) [FB3]
4	0GS231047725/	AF		C	FILM capacitor(0.1μ/100V ±20% P:5mm) [C205,C215]
5	0GS1910360///	AA		B	Resistor array(10KΩ ±5% 1/16W 4R 8 PINS SMD 0603) [BR3-5,RP1,PR3-4,BR9-10]
6	0GS1910490///	AA		B	Array resistor(33Ω ±5% 1/16W SMD 0603 4R 8PINS) [BR6-8]
7	0GS201048P01T	AA		C	Ceramic capacitor(0.1μF +80%-20% 50V Y5V SMD 0603,(201048P01TD0)) [C9,C11-12,C16,C25-27,C29-30]
	0GS201048P01T	AA		C	Ceramic capacitor(0.1μF +80%-20% 50V Y5V SMD 0603,(201048P01TD0)) [C32-37,C39-42,C49,C55-58,C81]
	0GS201048P01T	AA		C	Ceramic capacitor(0.1μF +80%-20% 50V Y5V SMD 0603,(201048P01TD0)) [C60-69,C95,C98,C100,C102-105]
	0GS201048P01T	AA		C	Ceramic capacitor(0.1μF +80%-20% 50V Y5V SMD 0603,(201048P01TD0)) [C111,C113-C116,C122C,124-127]
	0GS201048P01T	AA		C	Ceramic capacitor(0.1μF +80%-20% 50V Y5V SMD 0603,(201048P01TD0)) [C144,C146-149,C151,C179,C180]
	0GS201048P01T	AA		C	Ceramic capacitor(0.1μF +80%-20% 50V Y5V SMD 0603,(201048P01TD0)) [C182,183,C185, C190,C192,C1-C5]
	0GS201048P01T	AA		C	Ceramic capacitor(0.1μF +80%-20% 50V Y5V SMD 0603,(201048P01TD0)) [C133,C135-138,C194,C196-198,C209]
	0GS201048P01T	AA		C	Ceramic capacitor(0.1μF +80%-20% 50V Y5V SMD 0603,(201048P01TD0)) [C213,C221,C242-244,C247]
11	0GS2247637R2C	AC		C	Ele.capacitor(47μF/16V ±20% P=2.5 5*11 85 ESMG160ETD470ME11D) [C8,C10,C252,C220]
12	0GS2210737R2C	AB		C	Ele.capacitor(100μF/16V ±20% P=2.5 5*11 85 TD04RSMG16VB100MF25E0,(2210737R2CH0)) [C13]
13	0GS20101G501T	AA		C	Ceramic capacitor(100PF,50V,±5%,SMD 0603,NPO,(20101G501TD0)) [C14,C17,C70,C72,C80]
	0GS20101G501T	AA		C	Ceramic capacitor(100PF,50V,±5%,SMD 0603,NPO,(20101G501TD0)) [C90,C106-110,C117-121]
	0GS20101G501T	AA		C	Ceramic capacitor(100PF,50V,±5%,SMD 0603,NPO,(20101G501TD0)) [C128-132,C139-143]
	0GS20101G501T	AA		C	Ceramic capacitor(100PF,50V,±5%,SMD 0603,NPO,(20101G501TD0)) [C152-160,C164-165,C167-168]
	0GS20101G501T	AA		C	Ceramic capacitor(100PF,50V,±5%,SMD 0603,NPO,(20101G501TD0)) [C171,C174-178]
	0GS20101G501T	AA		C	Ceramic capacitor(100PF,50V,±5%,SMD 0603,NPO,(20101G501TD0)) [C189,C195,C234,C6]
15	0GS20102GP01T	AA		C	Ceramic capacitor(1000PF ±10% 50V SMD 0603 X7R) [C18,C150,C162,C166,C184]
	0GS20102GP01T	AA		C	Ceramic capacitor(1000PF ±10% 50V SMD 0603 X7R) [C186,C187,C193,C245]
	0GS20102GP01T	AA		C	Ceramic capacitor(1000PF ±10% 50V SMD 0603 X7R) [C246,C248]
16	0GS2943130///	AD		C	Ceramic capacitor(1μF ±10% 16V X7R SMD 0603) [C19,C91,C94,C231,C237]
17	0GS2210567R2C	AC		C	Ele.capacitor(1μF/50V ±20% P=2.5 5*11 85 TD04RSMG50VB1MF25E0) [C12,C20]
18	0GS295028001T	AB		C	Ceramic capacitor(295028001TD0)(10PF ±0.5PF 50V SMD 0603 NPO) [C21-24]
19	0GS201068J02T	AD		C	Ceramic capacitor(10μF 10V +80-20% SMD 0805 Y5V) [C31,C28,C38]
20	0GS202237P01T	AA		C	C/C(0.022μF +80-20% 50V Y5V SMD0603) [C43]
21	0GS202682GP01T	AA		C	Ceramic capacitor(6800PF ±10% 50V SMD 0603 X7R) [C44,C45]
22	0GS20103GP01T	AA		C	C/C(0.01μF ±10% 50V SMD 0603 X7R(CCPB21021HWEK)) [C46,C51,C53,C54]
23	0GS20330G501T	AA		C	Ceramic capacitor(33PF ±5% 50V NPO SMD 0603) [C47,C48]
24	0GS20220G501T	AA		C	Ceramic capacitor(22PF,50V,±5%,SMD 0603 NPO) [C92,C93]
25	0GS201060601T	AF		C	Ceramic capacitor(10μF/6.3V +10% SMD1206) [C50,C52]
26	0GS20471G501T	AB		C	Ceramic capacitor(470PF ±5% 50V SMD 0603 COG) [C89,C99]
27	0GS2210667R2C	AC		C	Ele.capacitor(10μF/50V ±20% P=2.5 5*11 85 TD04RSMG50VB10MF25E0,(2210667R2CH0)) [C79,C97,C101,C112,C123]
	0GS2210667R2C	AC		C	Ele.capacitor(10μF/50V ±20% P=2.5 5*11 85 TD04RSMG50VB10MF25E0,(2210667R2CH0)) [C134,C145,C173,C181,C241]
28	0GS2222637R2C	AC		C	Ele.capacitor(22μF/16V ±20% P=2.5 5*11 85 TD04RSMG16VB22MF25E0,(2222637R2CH0)) [C161,C163,C172]
29	0GS2222867R1C	AL		C	Ele.capacitor(2200μF/50V ±20% 16*35.5mm P:7.5mm E SMG500ELL222MLP1S) [C169]
30	0GS2942450///	AA		C	Ceramic capacitor(330PF ±5% 50V CH SMD 0603 C1608CH1H331JT) [C71,C191,C188]
31	0GS2210767R2C	AC		C	Ele.capacitor(100μF/50V ±20% P=3.5 8*11.5 85 ESMG500ETD101MHB5D) [C199]
32	0GS233336725/	AC		C	Film capacitor(0.033μF/50V P:5mm ±20%) [C201]
33	0GS2233867F1C	AL		C	Ele.capacitor(3300μF/50V ±20% P=7.5 18*35.5 85 ESMG500ELL332MNP1S,(2233867F1CH0)) [C204]
34	0GS2222767R2C	AD		C	Ele.capacitor(220μF/50V ±20% P=5 10*12.5 85 TD04RSMG50VB220MF50E1,(2222767R2CH0)) [C206]
35	0GS203348L01T	AC		C	Ceramic capacitor(0.33μF +80-20% 16V SMD 0603Y5V,(203348L01T)) [C224,C230,C235,C236,C239]
36	0GS231036725/	AC		C	Film capacitor(0.01μF/50V P:5mm ±20%) [C210,C211]
37	0GS2210837R2C	AD		C	Ele.capacitor(1000μF/16V ±20% P=5 10*16 85 TD03RSMG16VB1000MF50E1,(2210837R2CH0)) [C218,C216]
38	0GS2233737R2C	AC		C	Ele.capacitor(330μF/16V ±20% P=3.5 8*11.5 85 ESMG160ETD331MHB5D) [C225,C232]
39	0GS202253802T	AB		C	Ceramic capacitor(2.2μF 16V +80-20% SMD 0805) [C240]
40	0GS4140680///	AC		B	Diode(1SS355) [D1,D4,D6-D12,D41]
41	0GS4141150///	AE		B	Diode(1SR159 200V 1A SOD-106) [D3,D5,D40,D28]
42	0GS4141130///	AE		B	Diode(RB160L60 60V 1A SOD-106 SCHOTTKY BARRIER) [D13-20,D26-27]
43	0GS4141120///	AF		B	S B diode(RB060L40) [D24-25,D30,D34-36]
44	0GS4141190///	AE		B	Diode(EC31QS06 60V 1A SMD) [D37,D38]
45	0GS3111740///	AC		C	Chip core(EFCB322513TS SMD 1210) [FB1-2,FB6-20,FB21-25]
46	0GS3610720///	AD		A	Fuse(TSD 500mA 250V TIME LAG 5*20mm CARTRIDGE GLASS) [F2-3]
47	0GS3610730///	AD		A	Fuse(TSD 1.6A 250V TIME LAG 5*20mm CARTRIDGE GLASS) [F4,F8,F9]



8 SUB PWB unit[UP-810F]

NO.	PARTS CODE	PRICE RANK	NEW MARK	PART RANK	DESCRIPTION
48	0GS3610710///	AD		A	Fuse(TSD 3.15A 250V TIME LAG 5*20mm CARTRIDGE) [F5]
49	0GS3610740///	AD		A	Fuse(TSD 2A 250V TIME LAG 5*20mm CARTRIDGE GLASS) [F7,F6]
50	0GS4232830///	AF		B	IC(BA10358FV-E2) [IC23,IC4]
51	0GS4232270///	AF		B	Logic IC(SN74LV125APWR) [IC5]
52	0GS4232300///	AE		B	Logic IC(SN74LV00APWR) [IC6]
53	0GS15333CB010	AA		C	Resistor(33KΩ 1/10W ±5% SMD 0603) [R327]
54	0GS4233200///	BE		B	Analog IC(ICL3241CAZ 28Ld SSOP) [IC14-17,IC19]
55	0GS4211450///	AV		B	IC Motor Driver(TA8428K(S)) [IC26]
56	0GS4232550///	AE		B	Logic IC(SN74LV08APWR) [IC27,IC7,IC38 ,IC39]
57	0GS4152170///	AG		B	Regulator diode(KIA431F SOT-89 OUTPUT:2.2-36V) [IC28]
58	0GS203348P02T	AC		C	Ceramic capacitor(0.33μF +80-20% 50V SMD 0805 Y5V) [C208]
59	0GS4232700///	BA		B	Regulator IC(LM2574HVN-ADJ DIP 8) [IC33,IC36]
60	0GS4232430///	AN		B	IC(PQ1CG2032FZ TO-220 CHOPPER REGULATOR) [IC34]
61	0GS4232360///	AE		B	Comparator IC(BA10393F 36V 500mW SOP8) [IC29,IC35]
62	0GS3112010///	AK		C	Coil(180μH ±10% P:1.0mm D:1.0mm) [L1]
63	0GS4130290///	AF		B	MOSFET(HAT1089C-EL-E P-CHANNEL 20V 2A 850mW CMFPAK-6) [Q1]
64	0GS4121920///	AC		B	NPN transistor(DTC123EKA SC-59 50V 100mA 200mW HFE:min20) [Q2,Q3]
65	0GS4121830///	AC		B	Transistor(DTC114EKA NPN 50V 200mW SC-59) [Q4]
66	0GS4130270///	AE		B	MOSFET(2SK2731T146 N-CHANNEL 30V 200mA 200mW SC-59) [Q21]
67	0GS4130280///	AH		B	MOSFET(NTD2955T4G P-CHANNEL 60V 12A 55W DPAK) [Q22]
68	0GS4121700///	AK		B	Transistor(KTD998-O NPN 120V 10A 80mW TO-3P HFE:8-160) [Q27,Q28]
69	0GS15103CB010	AA		C	Resistor(10KΩ ±5% 1/10W SMD 0603,(15103CB01000)) [R4,R17-18,R21-25,R27-28]
	0GS15103CB010	AA		C	Resistor(10KΩ ±5% 1/10W SMD 0603,(15103CB01000)) [R31-32,R40-46,R48-49]
	0GS15103CB010	AA		C	Resistor(10KΩ ±5% 1/10W SMD 0603,(15103CB01000)) [R63-68]
70	0GS15103CB010	AA		C	Resistor(10KΩ ±5% 1/10W SMD 0603,(15103CB01000)) [R70,R71,R79-95,R97-104]
	0GS15103CB010	AA		C	Resistor(10KΩ ±5% 1/10W SMD 0603,(15103CB01000)) [R114,R172,R158,R159]
	0GS15103CB010	AA		C	Resistor(10KΩ ±5% 1/10W SMD 0603,(15103CB01000)) [R11-14,R191,R192]
	0GS15103CB010	AA		C	Resistor(10KΩ ±5% 1/10W SMD 0603,(15103CB01000)) [R245,R246,R248]
	0GS15103CB010	AA		C	Resistor(10KΩ ±5% 1/10W SMD 0603,(15103CB01000)) [R106,R107,R298,R299,R311]
	0GS15103CB010	AA		C	Resistor(10KΩ ±5% 1/10W SMD 0603,(15103CB01000)) [R253-256,R290,R199]
	0GS15103CB010	AA		C	Resistor(10KΩ ±5% 1/10W SMD 0603,(15103CB01000)) [R378,R380,R387-389,R194]
	0GS15103CB010	AA		C	Resistor(10KΩ ±5% 1/10W SMD 0603,(15103CB01000)) [R195,R198]
73	0GS15000CB010	AA		C	Resistor(0Ω 1/10W 0603 SMD) [R10,R16,R20,R52-55,R69]
	0GS15000CB010	AA		C	Resistor(0Ω 1/10W 0603 SMD) [R72,R76-78,R118,R123]
	0GS15000CB010	AA		C	Resistor(0Ω 1/10W 0603 SMD) [R130]
	0GS15000CB010	AA		C	Resistor(0Ω 1/10W 0603 SMD) [R193,R196,R132]
	0GS15000CB010	AA		C	Resistor(0Ω 1/10W 0603 SMD) [R135,R140,R176-183,R187]
	0GS15000CB010	AA		C	Resistor(0Ω 1/10W 0603 SMD) [R200-203,R242-244,R247,R249]
	0GS15000CB010	AA		C	Resistor(0Ω 1/10W 0603 SMD) [R250,R265-269,R280]
	0GS15000CB010	AA		C	Resistor(0Ω 1/10W 0603 SMD) [R282,R284-286,R288,R297]
	0GS15000CB010	AA		C	Resistor(0Ω 1/10W 0603 SMD) [R300-308,R273,R131]
	0GS15000CB010	AA		C	Resistor(0Ω 1/10W 0603 SMD) [R329,R336-337,R340,R367]
0GS15000CB010	AA		C	Resistor(0Ω 1/10W 0603 SMD) [R385,R386,R60,R62,R183]	
78	0GS15203CB010	AB		C	Resistor(20K Ω 1/10W ±5% SMD 0603) [R26]
79	0GS1551072010	AA		C	Resistor(51Ω ±5% 1/10W SMD 0603) [R29]
80	0GS15104CB010	AA		C	Resistor(100KΩ ±5% 1/10W SMD 0603,(15104CB01000)) [R30,R33-37,R379]
81	0GS15330CB010	AA		C	Resistor(33Ω ±5% 1/10W SMD 0603,(15330CB01000)) [R38,R39,R47,R153,R221-225]
	0GS15330CB010	AA		C	Resistor(33Ω ±5% 1/10W SMD 0603,(15330CB01000)) [R227-241,R174,R175]
82	0GS15472CB010	AA		C	Resistor(4.7KΩ 1/10W ±5% SMD 0603) [R50,R51,R58-59,R73,R74]
	0GS15472CB010	AA		C	Resistor(4.7KΩ 1/10W ±5% SMD 0603) [R136,R138,R261,R278,R283]
	0GS15472CB010	AA		C	Resistor(4.7KΩ 1/10W ±5% SMD 0603) [R328,R334]
83	0GS15331CB010	AA		C	Resistor(330Ω ±5% 1/10W,SMD 0603,(15331CB01000)) [R56,R260,R377]
84	0GS1920470///	AA		C	Resistor(49.9Ω ±1% 1/10W SMD 0603) [R109-112]
85	0GS1920430///	AA		C	Resistor(12.4KΩ ±1% 1/10W SMD 0603) [R113]
86	0GS15102AB010	AA		C	Resistor(1KΩ +/-1% 1/10W SMD 0603) [R126,R122]
87	0GS15123AB010	AA		C	Resistor(12KΩ ±1% 1/10W SMD0603) [R124]
88	0GS15473CB010	AA		C	Resistor(47KΩ ±5% 1/10W SMD 0603(ROP1JWB30473)) [R137,R146,R148,R1,R151]
	0GS15473CB010	AA		C	Resistor(47KΩ ±5% 1/10W SMD 0603(ROP1JWB30473)) [R251,R204,R296,R341]
	0GS15473CB010	AA		C	Resistor(47KΩ ±5% 1/10W SMD 0603(ROP1JWB30473)) [R167-169,R164-165]
	0GS15473CB010	AA		C	Resistor(47KΩ ±5% 1/10W SMD 0603(ROP1JWB30473)) [R188-189,R190]
90	0GS15105CB010	AA		C	Resistor(1MΩ 1/16W 5% 0603) [R384]
91	0GS15102CB010	AA		C	Resistor(1KΩ ±5% 1/10W SMD 0603,(15102CB01000)) [R147,R291,R315,R330,R344]
	0GS15102CB010	AA		C	Resistor(1KΩ ±5% 1/10W SMD 0603,(15102CB01000)) [R207,R274,R275,R211]
92	0GS15123CB010	AA		C	Resistor(12KΩ ±5% 1/10W SMD 0603) [R294]
93	0GS15101CB010	AA		C	Resistor(100Ω 1/10W ±5% SMD 0603(ROP1JWB10101)) [R252,R257,R263,R133]
	0GS15101CB010	AA		C	Resistor(100Ω 1/10W ±5% SMD 0603(ROP1JWB10101)) [R372,R375]
94	0GS15182CB010	AA		C	Resistor(1.8KΩ ±5% 1/10W SMD 0603,(15182CB01000)) [R258,R264]
95	0GS15303CB010	AA		C	Resistor(30KΩ ±5%,1/10W,SMD 0603) [R259]
96	0GS1518370010	AA		C	Resistor(18KΩ ±1% 1/10W SMD 0603) [R279]
97	0GS1547270010	AA		C	Resistor(4.7K Ω ±1% 1/10W SMD 0603) [R281]
98	0GS1533470010	AA		C	Resistor(330K Ω ±1% 1/10W SMD0603) [R289]
99	0GS15473AB010	AA		C	Resistor(47KΩ ±1% 1/10W,SMD0603) [R292]
100	0GS15562CB010	AA		C	Resistor(5.6kΩ +/-5% 1/10W 0603) [R293]
101	0GS15153CB010	AA		C	Resistor(15KΩ ±5% 1/10W SMD 0603(ROP1JWB30153)) [R295,R121]
102	0GS1524172010	AA		C	Resistor(240Ω ±1% 1/10W SMD 0603) [R324]
103	0GS15223CB010	AA		C	Resistor(22KΩ 1/10W ±5% SMD 0603,(15223CB01000)) [R332]
104	0GS1520172010	AA		C	Resistor(200Ω ±5% 1/10W SMD 0603) [R335,R343]
105	0GS15753CB010	AA		C	Resistor(75KΩ 1/10W ±5% SMD 0603) [R342]
106	0GS1591270010	AA		C	Resistor(9.1KΩ ±1% 1/10W SMD 0603,(159127001000)) [R364]
107	0GS15223AB010	AA		C	Resistor(22KΩ ±1% 1/10W SMD 0603) [R358]

8 SUB PWB unit[UP-810F]

NO.	PARTS CODE	PRICE RANK	NEW MARK	PART RANK	DESCRIPTION
108	0GS1930650///	AB		B	Fusible resistor(10Ω ±5% 1/4W FRL) [R359,R371]
109	0GS1512270010	AA		C	Resistor(1.2KΩ ±1% 1/10W SMD 0603) [R360]
110	0GS1556222080	AA		C	Resistor(5.6KΩ ±5% 1/2W SMD 2010) [R361,R374]
111	0GS1511370010	AA		C	Resistor(11KΩ ±1% 1/10W SMD 0603) [R362]
112	0GS15392CB010	AA		C	Resistor(3.9KΩ ±5% 1/10W SMD 0603) [R363]
113	0GS15272CB010	AA		C	Resistor(2.7KΩ 1/10W ±5% SMD 0603,(15272CB01000)) [R365]
114	0GS15563CB010	AA		C	Resistor(56KΩ 1/10W ±5% SMD 0603) [R366]
115	0GS1513270010	AA		C	Resistor(1.3KΩ ±1% 1/10W SMD 0603) [R368]
116	0GS15103AB010	AA		C	Resistor(10KΩ ±1%,1/10W,SMD0603) [R369,R373]
117	0GS1562270010	AA		C	Resistor(6.2KΩ ±1% 1/10W SMD 0603) [R370]
118	0GS1533270010	AA		C	Resistor(3.3KΩ ±1% 1/10W SMD 0603,(153327001000)) [R376]
119	0GS15000CD030	AA		C	Resistor(0Ω ±5% 1/4W SMD 1206) [R390,R382]
120	0GS20390G501M	AA		C	Ceramic capacitor(39PF/50V ±5% SMD0603 NPO) [C250,C251]
121	0GS5113030///	AC		C	Pin header(3PIN P:2.54mm) [SP1-2,SP5-10]
122	0GS5113040///	AD		C	Jumper cap(SHORT CAP 2*5*6mm) [for SP1-2,SP6-7,SP10(SHORT 1-2PIN),SP9(SHORT2-3PIN)]
123	VHIXC3S25PQ-1	BD		B	IC(XC3S250E-4PQG208C) [U1]
124	0GS4340050///	BA		B	IC(LAN9118-MT 100PIN TQFP(VHILAN9118C-1)) [U3]
125	0GS4251370///	AF		B	EEPROM(93LC46A-I/SN SOIC 8) [U4]
126	0GS4212310///	AV		B	Digital IC(LB1650-E DIP16F 36V 2A 1.9W) [U5]
127	0GS4233140///	AN		B	Regulator IC(BA33DDOT TO220FP-3 3.3V 2W 2A) [U6]
128	0GS4233180///	AG		B	Regulator IC(BD25KA5FP TO252-3 2.5V 1.2W 500mA) [U8]
129	0GS4233130///	AL		B	Regulator IC(BA33CCOWFP TO252-5 3.3V 1.3W 1A) [U9]
130	0GS4233190///	AH		B	Regulator IC(BD12KA5FP TO252-3 1.2V 1.2W 500mA) [U10]
131	0GS4233170///	AE		B	Regulator IC(BH28FBIWG SSOP5 2.8V 540mW 150mA) [U11]
132	0GS3431420///	AK		B	Crystal(25MHz(DSX840GA)) [X1]
133	0GS3430522///	AC		B	Crystal(32.768KHz,±5PPm,2*6mm,CFS-206 PB FREE TYPE) [X4]
134	0GS4152240///	AE		B	Zener diode(PTZTE-2513B 13.3-15V SOD106) [ZD1]
135	0GS4152100///	AC		B	Zener diode(UDZS 5.1B 4.95-5.2V 200mW SOD-323) [ZD2]
136	0GS4152090///	AE		B	Zener diode(PTZ6.2B 6.2-7.0V 1W SOD-106) [ZD3]
137	0GS3521530///	AH		B	Buzzer(PKM22EPPH4002) [BZ1]
138	0GS2920620///	AH		C	Ele.capacitor(22μF/16V ±20% A5 CASE(16SVP22M)) [C59]
139	0GS2268887A2C	AX		C	Ele.capacitor(6800μF/63V ±20% 25.4*50 P:10mm ESMH630VSN682MQ50S) [C203]
140	0GS2233757A1C	AE		C	ELE.capacitor(330μF/35V ±20% P=5 10*12.5 85 ESMG350ETD331MJC5S) [C207]
141	0GS4141540///	AT		B	Diode(SP8-G56S VR SMD) [D29,D23,D39]
142	0GS4130520///	AG		B	Transistor(2SD2143TL 6V 2A SC-63) [Q20,Q19]
143	0GS1510070010	AA		C	Resistor(10Ω ±1% 1/10W SMD 0603) [R108]
144	0GS1910610///	AB		B	Array resistor(0Ω ±5% 1/16W SMD 0603 4R8PINS) [RP5-7,RP11]
145	0GS5113800///	AQ		C	Connector(ALPS SCDA4A0200) [CN5]
146	0GS5113840///	AR		C	Connector(RJ45 S280N 8P8C 06TBK) [J5,CN9,CN10]
147	0GS5111410///	AG		C	Connector(D-SUB 9P 90D MALE W/H HEXAGONAL SCREW) [CN12,CN13]
148	0GS5114370///	AL		C	Connector(DF11-12DP-2DS 12PINP:2.0mm) [CN14]
149	0GS5113870///	AE		C	Connector(22-05-1032 3PIN P:2.5mm) [CN15,CN16]
150	0GS5112940///	AC		C	Connector(VH-2A 2PIN P:3.98mm) [CN17]
151	0GS5112570///	AA		C	Connector(TJC3-2A(BLUE) 2PIN P:2.5mm) [CN18]
152	0GS5113880///	BA		C	Connector(53493-1078 100PIN P:0.8mm) [J1]
153	0GS5113890///	AD		C	Connector(4PIN 1.25mm PITCH 53047-0410) [J2]
154	0GS5113990///	AR		C	Connector(39-53-2285 28PIN P:1.25mm) [J6]
155	0GS5114450///	AU		C	Connector(53553-0678 60PIN P:0.635mm) [J11]
156	0GS5112520///	AF		C	FFC connector(1.25-2-34P P:1.25mm 34PIN) [J14]
157	0GS5114460///	AE		C	Connector(1.0-11-18P P:1.0mm 18PIN) [J16]
158	0GS5250940///	AZ		B	Slide switch(MS12ASG30) [SW2]
159	0GS3112000///	AL		C	Coil(330uH ±10% P:10mm D:1.0mm) [L3]
160	0GS2233887A2C	AU		C	Ele.capacitor(3300μF/63V ±20% P:10mm 22*40 ESMG630ELL332MP40S) [C202]
161	0GS201048P01T	AA		C	Ceramic capacitor(0.1μF +80%-20% 50V Y5V SMD 0603,(201048P01TD0)) [C249,C253]
162	0GS5413201///	AA		C	Jumper wire(5mm) [JP1,JP3,JP4]
163	0GS3610870///	AN		A	Thermal fuse(S2:115DEG 1A250V(AC)/1.5A125V(AC)) [TH1,TH2]
164	0GS3610660///	AD		A	Fuse(TSD 1A 250V TIME LAG CARTRIDGE GLASS TUBE) [F11]
165	0GS6174261///	AB		C	Fuse holder [F2-9,F11]
166	0GS4212430///	AF		B	Logic IC(SN74HCT541PWR TSSOP-PW) [IC11]
167	0GS4212420///	AF		B	Logic IC(SN74LV157APWR TSSOP-PW) [IC18]
168	0GS4212270///	AL		B	Logic IC(SN74HCT08PWR TSSOP-PW) [IC20-21,IC24,IC25]
169	0GS3111870///	AH		C	Coil(180UH ±10% 15*22mm P:10mm) [L2]
170	0GS4211960///	AG		B	Logic IC(SN74LV139APWR TSSOP) [IC37]
171	0GS20101G501T	AA		C	Ceramic capacitor(100PF,50V,±5%,SMD 0603,NPO,(20101G501TD0)) [C7,C15,C214]
172	0GS5114440///	AE		C	Connector(AAA-DDR-081-K02 P:0.6mm 200PIN) [CN20]
173	0GS15100CB010	AA		C	Resistor(10Ω ±5% 1/10W SMD 0603) [R57,R173]
174	0GS203348P02M	AC		C	Ceramic capacitor(0.33μF +80-20% 50V SMD 0805 Y5V) [C208]
175	0GS4331180///	AW		B	CPU(UPD78F0521GB(S)-UET-A RH-IX2062RCPZ) [IC10]
176	0GS4331320///	AW		B	CPU(UPD78F0521GB-UET-A) [IC10]
177	0GS4212270///	AL		B	Logic IC(SN74HCT08PWR TSSOP-PW) [IC8]
178	0GS4141580///	AN		B	Bridge diode(S4VB60 600V 2.6A(VHDS4VB60+-1)) [BD1]
179	0GS5435000///	AE		C	GND wire(AWG#18 L:290mm C:BLACK WITH TERMINAL) [SUB to MAIN CHASSIS]
180	0GS3112040///	AH		C	Ferrite core(TC-16-8-13) [SUB to MAIN CHASSIS]
181	0GS5113900///	AS		C	Connector(HIF3FC-16PA-2.54DS 16PIN P:2.54mm) [J4]
182	0GS5114830///	AG		C	Pin header(RE-H(3)2TD-1130 P:2.54 3PIN) [SP3]
183	0GS5114840///	AE		C	Jumper cap(JM-2BK-61 2.54*5.08*6.0) [for SP3(SHORT 1-2PIN)]
	(Unit)				
901	0GSUP811F40//	CX		E	Sub PWB unit

9 SUB PWB unit[UP-820F]

NO.	PARTS CODE	PRICE RANK	NEW MARK	PART RANK	DESCRIPTION
3	0GS3111980///	AH		C	Chip core(MMZ1608Y300B) [FB3]
4	0GS231047725/	AF		C	FILM capacitor(0.1μF/100V ±20% P:5mm) [C205,C215]
5	0GS4141580///	AN		B	Bridge diode(S4VB60 600V 2.6A(VHDS4VB60+++1)) [BD1]
6	0GS1910360///	AA		B	Resistor array(10KΩ ±5% 1/16W 4R 8 PINS SMD 0603) [BR3-5,BR9-10,RP3-4,RP1]
7	0GS1910490///	AA		B	Array resistor(33Ω ±5% 1/16W SMD 0603 4R 8PINS) [BR6-8]
8	0GS201048P01T	AA		C	Ceramic capacitor(0.1μF +80%-20% 50V Y5V SMD 0603,(201048P01TD0)) [C9,C11-12,C16,C25-27,C29-30]
	0GS201048P01T	AA		C	Ceramic capacitor(0.1μF +80%-20% 50V Y5V SMD 0603,(201048P01TD0)) [C32-37,C39-42,C49]
	0GS201048P01T	AA		C	Ceramic capacitor(0.1μF +80%-20% 50V Y5V SMD 0603,(201048P01TD0)) [C55-58,C185]
	0GS201048P01T	AA		C	Ceramic capacitor(0.1μF +80%-20% 50V Y5V SMD 0603,(201048P01TD0)) [C60-69,C81,C95,C98,C100]
	0GS201048P01T	AA		C	Ceramic capacitor(0.1μF +80%-20% 50V Y5V SMD 0603,(201048P01TD0)) [C102-105,C111,C113-116]
	0GS201048P01T	AA		C	Ceramic capacitor(0.1μF +80%-20% 50V Y5V SMD 0603,(201048P01TD0)) [C122]
	0GS201048P01T	AA		C	Ceramic capacitor(0.1μF +80%-20% 50V Y5V SMD 0603,(201048P01TD0)) [C124-127,C133,C135-138]
	0GS201048P01T	AA		C	Ceramic capacitor(0.1μF +80%-20% 50V Y5V SMD 0603,(201048P01TD0)) [C144,C146-149,C151,C180]
11	0GS201048P01T	AA		C	Ceramic capacitor(0.1μF +80%-20% 50V Y5V SMD 0603,(201048P01TD0)) [C182,C183]
	0GS201048P01T	AA		C	Ceramic capacitor(0.1μF +80%-20% 50V Y5V SMD 0603,(201048P01TD0)) [C190,C193,C192,C197,C198]
	0GS201048P01T	AA		C	Ceramic capacitor(0.1μF +80%-20% 50V Y5V SMD 0603,(201048P01TD0)) [C209,C213,C221,C242-244]
12	0GS2247637R2C	AC		C	Ele.capacitor(47μF/16V ±20% P=2.5 5*11 85 ESMG160ETD470ME11D) [C8,C10,C252,C220]
13	0GS20101G501T	AA		C	Ceramic capacitor(100PF,50V,±5%,SMD 0603,NPO,(20101G501TD0)) [C4-6,C14,C17,C70,72]
	0GS20101G501T	AA		C	Ceramic capacitor(100PF,50V,±5%,SMD 0603,NPO,(20101G501TD0)) [C106-110,C117-121]
	0GS20101G501T	AA		C	Ceramic capacitor(100PF,50V,±5%,SMD 0603,NPO,(20101G501TD0)) [C128-132,C139-143,C80]
	0GS20101G501T	AA		C	Ceramic capacitor(100PF,50V,±5%,SMD 0603,NPO,(20101G501TD0)) [C90,C152-160,C164-165]
	0GS20101G501T	AA		C	Ceramic capacitor(100PF,50V,±5%,SMD 0603,NPO,(20101G501TD0)) [C167-168,C171]
	0GS20101G501T	AA		C	Ceramic capacitor(100PF,50V,±5%,SMD 0603,NPO,(20101G501TD0)) [C174-178,C189,C195,C234]
15	0GS20102GP01T	AA		C	Ceramic capacitor(1000PF ±10% 50V SMD 0603 X7R) [C18,C150,C162,C166,C184]
	0GS20102GP01T	AA		C	Ceramic capacitor(1000PF ±10% 50V SMD 0603 X7R) [C186,C196,C245,C246,C248]
16	0GS2943130///	AD		C	Ceramic capacitor(1μF ±10% 16V X7R SMD 0603) [C19,C91,C94,C231,C237]
17	0GS2210567R2C	AC		C	Ele.capacitor(1μF/50V ±20% P=2.5 5*11 85 TD04RSMG50VB1MF25E0) [C212,C20]
18	0GS295028001T	AB		C	Ceramic capacitor(295028001TD0)(10PF ±0.5PF 50V SMD 0603 NPO) [C21-24]
19	0GS201068J02T	AD		C	Ceramic capacitor(10μF 10V +80-20% SMD 0805 Y5V) [C31,C28,C38]
20	0GS202237P01T	AA		C	C/C(0.022μF +80-20% 50V Y5V SMD0603) [C43]
21	0GS20682GP01T	AA		C	Ceramic capacitor(6800PF ±10% 50V SMD 0603 X7R) [C44,C45]
22	0GS20103GP01T	AA		C	C/C(0.01μF ±10% 50V SMD 0603 X7R(CCPB21021HWEK)) [C46,C51,C53,C54]
23	0GS20330G501T	AA		C	Ceramic capacitor(33PF ±5% 50V NPO SMD 0603) [C47,C48]
24	0GS201060601T	AF		C	Ceramic capacitor(10μF/6.3V +10% SMD1206) [C50,C52]
25	0GS20471G501T	AB		C	Ceramic capacitor(470PF ±5% 50V SMD 0603 COG) [C1,C2]
26	0GS2210667R2C	AC		C	Ele.capacitor(10μF/50V ±20% P=2.5 5*11 85 TD04RSMG50VB10MF25E0,(2210667R2CH0)) [C79,C97,C101,C112,C123]
	0GS2210667R2C	AC		C	Ele.capacitor(10μF/50V ±20% P=2.5 5*11 85 TD04RSMG50VB10MF25E0,(2210667R2CH0)) [C134,C145,C173,C181,C199]
	0GS2210667R2C	AC		C	Ele.capacitor(10μF/50V ±20% P=2.5 5*11 85 TD04RSMG50VB10MF25E0,(2210667R2CH0)) [C238,C241]
28	0GS2222637R2C	AC		C	Ele.capacitor(22μF/16V ±20% P=2.5 5*11 85 TD04RSMG16VB22MF25E0,(2222637R2CH0)) [C161,C163,C172]
29	0GS2222867R1C	AL		C	Ele.capacitor(2200μF/50V ±20% 16*35.5mm P:7.5mm E SMG500ELL222MLP1S) [C169]
30	0GS2942450///	AA		C	Ceramic capacitor(330PF ±5% 50V CH SMD 0603 C1608CH1H331JT) [C191,C188,C71]
31	0GS233336725/	AC		C	Film capacitor(0.033μF/50V P:5mm ±20%) [C201]
32	0GS2233867F1C	AL		C	Ele.capacitor(3300μF/50V ±20% P=7.5 18*35.5 85 ESMG500ELL332MNP1S,(2233867F1CH0)) [C204]
33	0GS2222767R2C	AD		C	Ele.capacitor(220μF/50V ±20% P=5 10*12.5 85 TD04RSMG50VB220MF50E1,(2222767R2CH0)) [C206]
34	0GS203348L01T	AC		C	Ceramic capacitor(0.33μF +80-20% 16V SMD 0603Y5V,(203348L01T)) [C224,C230,C235,C236,C239]
35	0GS231036725/	AC		C	Film capacitor(0.01μF/50V P:5mm ±20%) [C210,C211]
36	0GS2210837R2C	AD		C	Ele.capacitor(1000μF/16V ±20% P=5 10*16 85 TD03RSMG16VB1000MF50E1,(2210837R2CH0)) [C218,C216]
37	0GS2233737R2C	AC		C	Ele.capacitor(330μF/16V ±20% P=3.5 8*11.5 85 ESMG160ETD331MHB5D) [C225,C232]
38	0GS202253802T	AB		C	Ceramic capacitor(2.2μF 16V +80-20% SMD 0805) [C240]
39	0GS4140680///	AC		B	Diode(1SS355) [D1,D4,D6-12,D41]
40	0GS4141150///	AE		B	Diode(1SR159 200V 1A SOD-106) [D3,D5,D40,D28]
41	0GS4141120///	AF		B	S B diode(RB060L40) [D24-25,D30,D34-36]

9 SUB PWB unit[UP-820F]

NO.	PARTS CODE	PRICE RANK	NEW MARK	PART RANK	DESCRIPTION
42	0GS4141190///	AE		B	Diode(EC31QS06 60V 1A SMD) [D37,D38]
43	0GS3111740///	AC		C	Chip core(EFCB322513TS SMD 1210) [FB1-2,FB6-22]
44	0GS3610720///	AD		A	Fuse(TSD 500mA 250V TIME LAG 5*20mm CARTRIDGE GLASS) [F2-3]
45	0GS3610730///	AD		A	Fuse(TSD 1.6A 250V TIME LAG 5*20mm CARTRIDGE GLASS) [F4,F8,F9]
46	0GS3610710///	AD		A	Fuse(TSD 3.15A 250V TIME LAG 5*20mm CARTRIDGE) [F5]
47	0GS3610740///	AD		A	Fuse(TSD 2A 250V TIME LAG 5*20mm CARTRIDGE GLASS) [F7,F6]
48	0GS4211960///	AG		B	Logic IC(SN74LV139APWR TSSOP) [IC37]
49	0GS4232830///	AF		B	IC(BA10358FV-E2) [IC23,IC4]
50	0GS4232270///	AF		B	Logic IC(SN74LV125APWR) [IC5]
51	0GS4232300///	AE		B	Logic IC(SN74LV00APWR) [IC6]
52	0GS4232550///	AE		B	Logic IC(SN74LV08APWR) [IC20,IC27,IC53,IC55]
53	0GS4233200///	BE		B	Analog IC(ICL3241CAZ 28Ld SSOP) [IC14-17,IC19]
54	0GS4211450///	AV		B	IC Motor Driver(TA8428K(S)) [IC26]
55	0GS4152170///	AG		B	Regulator diode(KIA431F SOT-89 OUTPUT:2.2-36V) [IC28]
56	0GS4212330///	AW		B	Driver IC(SMA7036M NO1054 15pin 100V 1.5A) [IC30,IC31]
57	0GS4232700///	BA		B	Regulator IC(LM2574HVN-ADJ DIP 8) [IC33,IC36]
58	0GS4232430///	AN		B	IC(PQ1CG2032FZ TO-220 CHOPPER REGULATOR) [IC34]
59	0GS4232360///	AE		B	Comparator IC(BA10393F 36V 500mW SOP8) [IC29,IC35]
60	0GS3112010///	AK		C	Coil(180uH ±10% P:10mm D:1.0mm) [L1]
61	0GS4130290///	AF		B	MOSFET(HAT1089C-EL-E P-CHANNEL 20V 2A 850mW CMFPAK-6) [Q1]
62	0GS4121920///	AC		B	NPN transistor(DTC123EKA SC-59 50V 100mA 200mW HFE:min20) [Q2,Q3,Q33]
63	0GS4121830///	AC		B	Transistor(DTC114EKA NPN 50V 200mW SC-59) [Q4]
64	0GS4130270///	AE		B	MOSFET(2SK2731T146 N-CHANNEL 30V 200mA 200mW SC-59) [Q21]
65	0GS4130280///	AH		B	MOSFET(NTD2955T4G P-CHANNEL 60V 12A 55W DPAK) [Q22]
66	0GS4130320///	AG		B	MOS FET(2SJ511 P-CHANNEL 30V 2A 500mW SMD) [Q32]
67	0GS4130510///	AD		B	MOSFET(2SK1826(TE85L.F) SC-59 50V 50mA 200mW) [Q34,Q35]
68	0GS4121700///	AK		B	Transistor(KTD998-O NPN 120V 10A 80mW TO-3P HFE:8-160) [Q27,Q28]
69	0GS15103CB010	AA		C	Resistor(10KΩ ±5% 1/10W SMD 0603,(15103CB01000)) [R4,R11-14,R17-18]
	0GS15103CB010	AA		C	Resistor(10KΩ ±5% 1/10W SMD 0603,(15103CB01000)) [R21-25,R31-32]
	0GS15103CB010	AA		C	Resistor(10KΩ ±5% 1/10W SMD 0603,(15103CB01000)) [R40-46,R48-49,R63-68]
	0GS15103CB010	AA		C	Resistor(10KΩ ±5% 1/10W SMD 0603,(15103CB01000)) [R70,R71]
	0GS15103CB010	AA		C	Resistor(10KΩ ±5% 1/10W SMD 0603,(15103CB01000)) [R79-97,R99-106,R114]
	0GS15103CB010	AA		C	Resistor(10KΩ ±5% 1/10W SMD 0603,(15103CB01000)) [R172,R27-28]
	0GS15103CB010	AA		C	Resistor(10KΩ ±5% 1/10W SMD 0603,(15103CB01000)) [R191,R192,R198-199]
	0GS15103CB010	AA		C	Resistor(10KΩ ±5% 1/10W SMD 0603,(15103CB01000)) [R245,R246]
	0GS15103CB010	AA		C	Resistor(10KΩ ±5% 1/10W SMD 0603,(15103CB01000)) [R248,R253-256,R290,R194]
	0GS15103CB010	AA		C	Resistor(10KΩ ±5% 1/10W SMD 0603,(15103CB01000)) [R298,R299,R378,R380]
73	0GS15000CB010	AA		C	Resistor(10KΩ ±5% 1/10W SMD 0603,(15103CB01000)) [R387-389,R195,R158,R159]
	0GS15000CB010	AA		C	Resistor(0Ω 1/10W 0603 SMD) [R10,R16,R20,R52-55,R69]
	0GS15000CB010	AA		C	Resistor(0Ω 1/10W 0603 SMD) [R72,R76-78,R118,R123,R130]
	0GS15000CB010	AA		C	Resistor(0Ω 1/10W 0603 SMD) [R131,R134]
	0GS15000CB010	AA		C	Resistor(0Ω 1/10W 0603 SMD) [R135,R149,R171,R176-178]
	0GS15000CB010	AA		C	Resistor(0Ω 1/10W 0603 SMD) [R180-183,R187,R193,R196]
	0GS15000CB010	AA		C	Resistor(0Ω 1/10W 0603 SMD) [R202-203,R242-244,R247]
	0GS15000CB010	AA		C	Resistor(0Ω 1/10W 0603 SMD) [R249,R250,R277-279,R60-61]
	0GS15000CB010	AA		C	Resistor(0Ω 1/10W 0603 SMD) [R282,R284-287,R296,R309-310,R312-313]
	0GS15000CB010	AA		C	Resistor(0Ω 1/10W 0603 SMD) [R315-316,R318-321,R271]
78	0GS15000CB010	AA		C	Resistor(0Ω 1/10W 0603 SMD) [R325,R330-331,R337,R346,R348]
	0GS1551072010	AA		C	Resistor(51Ω ±5% 1/10W SMD 0603) [R29]
	0GS15104CB010	AA		C	Resistor(100KΩ ±5% 1/10W SMD 0603,(15104CB01000)) [R30,R33-37,R379,R333,R339]
	0GS15330CB010	AA		C	Resistor(33Ω ±5% 1/10W SMD 0603,(15330CB01000)) [R38,R39,R47,R153,R221-225]
	0GS15330CB010	AA		C	Resistor(33Ω ±5% 1/10W SMD 0603,(15330CB01000)) [R174,R175,R227-241]
	0GS15472CB010	AA		C	Resistor(4.7KΩ 1/10W ±5% SMD 0603) [R50,R51,R58-59,R73,R74]
	0GS15472CB010	AA		C	Resistor(4.7KΩ 1/10W ±5% SMD 0603) [R136,R138,R261,R283]
	0GS15472CB010	AA		C	Resistor(4.7KΩ 1/10W ±5% SMD 0603) [R314,R322]
	0GS15331CB010	AA		C	Resistor(330Ω ±5% 1/10W SMD 0603,(15331CB01000)) [R56,R260,R349,R377]
	0GS1920470///	AA		C	Resistor(49.9Ω ±1% 1/10W SMD 0603) [R109-112]
84	0GS1920430///	AA		C	Resistor(12.4KΩ ±1% 1/10W SMD 0603) [R113]
85	0GS15102AB010	AA		C	Resistor(1KΩ +/-1% 1/10W SMD 0603) [R126,R122]
86	0GS15123AB010	AA		C	Resistor(12KΩ ±1% 1/10W SMD0603) [R124]
87	0GS15473CB010	AA		C	Resistor(47KΩ ±5% 1/10W SMD 0603(ROP1JWB30473)) [R137,R146,R148,R167-169]
	0GS15473CB010	AA		C	Resistor(47KΩ ±5% 1/10W SMD 0603(ROP1JWB30473)) [R163,R1,R204]
	0GS15473CB010	AA		C	Resistor(47KΩ ±5% 1/10W SMD 0603(ROP1JWB30473)) [R251,R341,R317,R164,R165]
	0GS15473CB010	AA		C	Resistor(47KΩ ±5% 1/10W SMD 0603(ROP1JWB30473)) [R188-190]
89	0GS15105CB010	AA		C	Resistor(1MΩ 1/16W 5% 0603) [R384]
90	0GS15102CB010	AA		C	Resistor(1KΩ ±5% 1/10W SMD 0603,(15102CB01000)) [R147,R274,R291,R207,R311]
	0GS15102CB010	AA		C	Resistor(1KΩ ±5% 1/10W SMD 0603,(15102CB01000)) [R345,R347,R352,R211,R275]
91	0GS15123CB010	AA		C	Resistor(12KΩ ±5% 1/10W SMD 0603) [R294]
92	0GS15101CB010	AA		C	Resistor(100Ω 1/10W ±5% SMD 0603(ROP1JWB10101)) [R252,R257,R263,R133]
93	0GS15182CB010	AA		C	Resistor(1.8KΩ ±5% 1/10W SMD 0603,(15182CB01000)) [R258,R264]
94	0GS15303CB010	AA		C	Resistor(30KΩ ±5%,1/10W,SMD 0603) [R259]
95	0GS15183700010	AA		C	Resistor(18KΩ ±1% 1/10W SMD 0603) [R280]
96	0GS15472700010	AA		C	Resistor(4.7K Ω ±1% 1/10W SMD 0603) [R281]
97	0GS15334700010	AA		C	Resistor(330K Ω ±1% 1/10W SMD0603) [R289]
98	0GS15473AB010	AA		C	Resistor(47KΩ ±1% 1/10W,SMD0603) [R292]
99	0GS15562CB010	AA		C	Resistor(5.6kΩ +/-5% 1/10W 0603) [R293]
100	0GS15153CB010	AA		C	Resistor(15KΩ ±5% 1/10W SMD 0603(ROP1JWB30153)) [R295,R121]
101	0GS1524172010	AA		C	Resistor(240Ω ±1% 1/10W SMD 0603) [R324]

9 SUB PWB unit[UP-820F]

NO.	PARTS CODE	PRICE RANK	NEW MARK	PART RANK	DESCRIPTION
102	0GS15333CB010	AA		C	Resistor(33KΩ 1/10W ±5% SMD 0603) [R327]
103	0GS1591270010	AA		C	Resistor(9.1KΩ ±1% 1/10W SMD 0603,(159127001000)) [R364,R391,R392]
104	0GS15102AB010	AA		C	Resistor(1KΩ +/-1% 1/10W SMD 0603) [R357,R355]
105	0GS15332CB010	AA		C	Resistor(3K3 Ω ±5% 1/10W SMD 0603) [R394,R356]
106	0GS15010300070	AC		C	Resistor(1.0Ω 1W ±1% SMD 2512) [R393,R395-397]
107	0GS15223AB010	AA		C	Resistor(22KΩ ±1% 1/10W SMD 0603) [R358]
108	0GS1930650///	AB		B	Fusible resistor(10Ω ±5% 1/4W FRL) [R359,R371]
109	0GS1512270010	AA		C	Resistor(1.2KΩ ±1% 1/10W SMD 0603) [R360]
110	0GS1556222080	AA		C	Resistor(5.6KΩ ±5% 1/2W SMD 2010) [R361,R374]
111	0GS1511370010	AA		C	Resistor(11KΩ ±1% 1/10W SMD 0603) [R362]
112	0GS15392CB010	AA		C	Resistor(3.9KΩ ±5% 1/10W SMD 0603) [R363]
113	0GS15272CB010	AA		C	Resistor(2.7KΩ 1/10W ±5% SMD 0603,(15272CB01000)) [R365]
114	0GS15563CB010	AA		C	Resistor(56KΩ 1/10W ±5% SMD 0603) [R366]
115	0GS1513270010	AA		C	Resistor(1.3KΩ ±1% 1/10W SMD 0603) [R368]
116	0GS15103AB010	AA		C	Resistor(10KΩ ±1%,1/10W,SMD0603) [R369,R373]
117	0GS1562270010	AA		C	Resistor(6.2KΩ ±1% 1/10W SMD 0603) [R370]
118	0GS15181CB010	AA		C	Resistor(180Ω ±5% 1/10W SMD 0603) [R372]
119	0GS15151CB010	AA		C	Resistor(150Ω 1/10W ±5% SMD 0603) [R375]
120	0GS1533270010	AA		C	Resistor(3.3KΩ ±1% 1/10W SMD 0603,(153327001000)) [R376]
121	0GS15000CD030	AA		C	Resistor(0Ω ±5% 1/4W SMD 1206) [R382,R390]
122	0GS5113030///	AC		C	Pin header(3PIN P:2.54mm) [SP1-2,SP5-10]
123	0GS5113040///	AD		C	Jumper cap(SHORT CAP 2*5*6mm) [for SP1-2,SP6-7,SP10(SHORT1-2),SP9(SHORT2-3)]
124	VHIXC3S25PQ-1	BD		B	IC(XC3S250E-4PQG208C) [U1]
125	0GS4340050///	BA		B	IC(LAN9118-MT 100PIN TQFP(VHILAN9118C-1)) [U3]
126	0GS4251370///	AF		B	EEPROM(93LC46A-I/SN SOIC 8) [U4]
127	0GS4233140///	AN		B	Regulator IC(BA33DDOT TO220FP-3 3.3V 2W 2A) [U6]
128	0GS4233180///	AG		B	Regulator IC(BD25KA5FP TO252-3 2.5V 1.2W 500mA) [U8]
129	0GS4233130///	AL		B	Regulator IC(BA33CCOWFP TO252-5 3.3V 1.3W 1A) [U9]
130	0GS4233190///	AH		B	Regulator IC(BD12KA5FP TO252-3 1.2V 1.2W 500mA) [U10]
131	0GS4233170///	AE		B	Regulator IC(BH28FBIWG SSOP5 2.8V 540mW 150mA) [U11]
132	0GS3431420///	AK		B	Crystal(25MHz(DSX840GA)) [X1]
133	0GS3430522///	AC		B	Crystal(32.768KHz,±5PPm,2*6mm,CFS-206 PB FREE TYPE) [X4]
134	0GS4152240///	AE		B	Zener diode(PTZTE-2513B 13.3-15V SOD106) [ZD1]
135	0GS4152100///	AC		B	Zener diode(UDZS 5.1B 4.95-5.2V 200mW SOD-323) [ZD2]
136	0GS4152090///	AE		B	Zener diode(PTZ6.2B 6.2-7.0V 1W SOD-106) [ZD3]
137	0GS3521530///	AH		B	Buzzer(PKM22EPPH4002) [BZ1]
138	0GS2920620///	AH		C	Ele.capacitor(22μF/16V ±20% A5 CASE(16SVP22M)) [C59]
139	0GS2268887A2C	AX		C	Ele.capacitor(6800μF/63V ±20% 25.4*50 P:10mm ESMH630VSN682MQ50S) [C203]
140	0GS2233757A1C	AE		C	ELE.capacitor(330μF/35V ±20% P=5 10*12.5 85 ESMG350ETD331MJC5S) [C207]
141	0GS4141540///	AT		B	Diode(SPB-G56S VR SMD) [D29,D23,D39]
142	0GS4331180///	AW		B	CPU(UPD78F0521GB(S)-UET-A RH-IX2062RCPZ) [IC10]
143	0GS4130520///	AG		B	Transistor(2SD2143TL 6V 2A SC-63) [Q20,Q19]
144	0GS1510070010	AA		C	Resistor(10Ω ±1% 1/10W SMD 0603) [R108,R62]
145	0GS1910610///	AB		B	Array resistor(0Ω ±5% 1/16W SMD 0603 4R8PINS) [RP11]
146	0GS5113800///	AQ		C	Connector(ALPS SCDA4A0200) [CN5]
147	0GS5113820///	AY		C	Connector(SI-60002-F 8PIN(QCNCW3239RCPZ)) [CN7]
148	0GS5113840///	AR		C	Connector(RJ45 S280N 8P8C 06TBK) [J5,CN9,CN10]
149	0GS511410///	AG		C	Connector(D-SUB 9P 90D MALE W/H HEXAGONAL SCREW) [CN12,CN13]
150	0GS5114370///	AL		C	Connector(DF11-12DP-2DS 12PINP:2.0mm) [CN14]
151	0GS5113870///	AE		C	Connector(22-05-1032 3PIN P:2.5mm) [CN15,CN16]
152	0GS5112940///	AC		C	Connector(VH-2A 2PIN P:3.98mm) [CN17]
153	0GS5112570///	AA		C	Connector(TJC3-2A(BLUE) 2PIN P:2.5mm) [CN18]
154	0GS5113880///	BA		C	Connector(53493-1078 100PIN P:0.8mm) [J1]
155	0GS5113890///	AD		C	Connector(4PIN 1.25mm PITCH 53047-0410) [J2]
156	0GS5114450///	AU		C	Connector(53553-0678 60PIN P:0.635mm) [J11]
157	0GS5112520///	AF		C	FFC connector(1.25-2-34P P:1.25mm 34PIN) [J14]
158	0GS2210737R2C	AB		C	Ele.capacitor(100μF/16V ±20% P=2.5 5*11 85 TD04RSMG16VB100MF25E0,(2210737R2CH0)) [C13]
159	0GS5250940///	AZ		B	Slide switch(MS12ASG30) [SW2]
160	0GS201048P01T	AA		C	Ceramic capacitor(0.1μF +80%-20% 50V Y5V SMD 0603,(201048P01TD0)) [C253,C3,C7,C15,C99]
	0GS201048P01T	AA		C	Ceramic capacitor(0.1μF +80%-20% 50V Y5V SMD 0603,(201048P01TD0)) [C187,C179]
161	0GS3112000///	AL		C	Coil(330uH ±10% P:10mm D:1.0mm) [L3]
162	0GS2233887A2C	AU		C	Ele.capacitor(3300μF/63V ±20% P:10mm 22*40 ESMG630ELL332MP40S) [C202]
163	0GS5413201///	AA		C	Jumper wire(5mm) [JP1,JP4-6]
164	0GS3610870///	AN		A	Thermal fuse(S2:115DEG 1A250V(AC)/1.5A125V(AC)) [TH2-4]
165	0GS3610660///	AD		A	Fuse(TSD 1A 250V TIME LAG CARTRIDGE GLASS TUBE) [F11]
166	0GS6174261///	AB		C	Fuse holder [FOR F1-9,F11]
167	0GS4212430///	AF		B	Logic IC(SN74HCT541PWR TSSOP-PW) [IC11]
168	0GS4212270///	AL		B	Logic IC(SN74HCT08PWR TSSOP-PW) [IC38-42,IC8]
169	0GS4212420///	AF		B	Logic IC(SN74LV157APWR TSSOP-PW) [IC18]
170	0GS3111870///	AH		C	Coil(180UH ±10% 15*22mm P:10mm) [L2]
171	0GS15472CB010	AA		C	Resistor(4.7KΩ 1/10W ±5% SMD 0603) [R334,R340]
172	0GS15100CB010	AA		C	Resistor(10Ω ±5% 1/10W SMD 0603) [R170]
173	0GS5114440///	AE		C	Connector(AAA-DDR-081-K02 P:0.6mm 200PIN) [CN20]
174	0GS5112870///	AR		C	Connector(006229640003800+ PRCN 40P RH(40PIN)) [J7]
175	0GS20101G501T	AA		C	Ceramic capacitor(100PF,50V,±5%,SMD 0603,NPO,(20101G501TD0)) [C194]
176	0GS203348P02T	AC		C	Ceramic capacitor(0.33μF +80-20% 50V SMD 0805 Y5V) [C208]

9 SUB PWB unit[UP-820F]

NO.	PARTS CODE	PRICE RANK	NEW MARK	PART RANK	DESCRIPTION
177	0GS20220G501T	AA		C	Ceramic capacitor(22PF,50V,±5%,SMD 0603 NPO) [C92,C93]
178	0GS15203CB010	AB		C	Resistor(20K Ω 1/10W ±5% SMD 0603) [R26]
179	0GS3610720///	AD		A	Fuse(TSD 500mA 250V TIME LAG 5*20mm CARTRIDGE GLASS) [F1]
180	0GS20390G501T	AA		C	Ceramic capacitor(39PF/50V ±5% SMD 0603 NPO) [C75,C76]
181	0GS4141130///	AE		B	Diode(RB160L60 60V 1A SOD-106 SCHOTTKY BARRIER) [D26-27]
182	0GS5435000///	AE		C	GND wire(AWG#18 L:290mm C:BLACK WITH TERMINAL) [SUB to MAIN CHASSIS]
183	0GS3112040///	AH		C	Ferrite core(TC-16-8-13) [SUB to MAIN CHASSIS]
184	0GS5114830///	AG		C	Pin header(RE-H(3)2TD-1130 P:2.54 3PIN) [SP3]
185	0GS5114840///	AE		C	Jumper cap(JM-2BK-61 2.54*5.08*6.0) [for SP3(SHORT 1-2 PIN)]
	(Unit)				
901	0GSUP820FU40/	CX	N	E	Sub PWB unit

10 SUB PWB unit[UP-820N]

NO.	PARTS CODE	PRICE RANK	NEW MARK	PART RANK	DESCRIPTION
3	0GS3111980///	AH		C	Chip core(MMZ1608Y300B) [FB3]
4	0GS231047725/	AF		C	FILM capacitor(0.1μ/100V ±20% P:5mm) [C205,C215]
5	0GS4141580///	AN		B	Bridge diode(S4VB60 600V 2.6A(VHDS4VB60+-1)) [BD1]
6	0GS1910360///	AA		B	Resistor array(10KΩ ±5% 1/16W 4R 8 PINS SMD 0603) [BR3-5,BR9-10,RP3-4,RP1]
7	0GS1910490///	AA		B	Array resistor(33Ω ±5% 1/16W SMD 0603 4R 8PINS) [BR6-8]
8	0GS201048P01T	AA		C	Ceramic capacitor(0.1μF +80%-20% 50V Y5V SMD 0603,(201048P01TD0)) [C9,C11-12,C16,C25-27,C29-30]
	0GS201048P01T	AA		C	Ceramic capacitor(0.1μF +80%-20% 50V Y5V SMD 0603,(201048P01TD0)) [C32-37,C39-42,C49,C55-58,C198]
	0GS201048P01T	AA		C	Ceramic capacitor(0.1μF +80%-20% 50V Y5V SMD 0603,(201048P01TD0)) [C60-69,C81,C95,C98,C100]
	0GS201048P01T	AA		C	Ceramic capacitor(0.1μF +80%-20% 50V Y5V SMD 0603,(201048P01TD0)) [C102-105,C111,C113-116,C122,C185]
	0GS201048P01T	AA		C	Ceramic capacitor(0.1μF +80%-20% 50V Y5V SMD 0603,(201048P01TD0)) [C124-127,C133,C135-138,C144,C146-149]
	0GS201048P01T	AA		C	Ceramic capacitor(0.1μF +80%-20% 50V Y5V SMD 0603,(201048P01TD0)) [C151,C180,C182,C183]
	0GS201048P01T	AA		C	Ceramic capacitor(0.1μF +80%-20% 50V Y5V SMD 0603,(201048P01TD0)) [C190,C193,C192,C197,C209]
	0GS201048P01T	AA		C	Ceramic capacitor(0.1μF +80%-20% 50V Y5V SMD 0603,(201048P01TD0)) [C213,C221,C242-244,C247,C249]
12	0GS2247637R2C	AC		C	Ele.capacitor(47μF/16V ±20% P=2.5 5*11 85 ESMG160ETD470ME11D) [C8,C10,C252,C220]
13	0GS20101G501T	AA		C	Ceramic capacitor(100PF,50V,±5%,SMD 0603,NPO,(20101G501TD0)) [C4-6,C14,C17,C70,72]
	0GS20101G501T	AA		C	Ceramic capacitor(100PF,50V,±5%,SMD 0603,NPO,(20101G501TD0)) [C106-110,C117-121,C128-132,C139-143,C80]
	0GS20101G501T	AA		C	Ceramic capacitor(100PF,50V,±5%,SMD 0603,NPO,(20101G501TD0)) [C152-160,C164-165,C167-168,C171,C174-178]
	0GS20101G501T	AA		C	Ceramic capacitor(100PF,50V,±5%,SMD 0603,NPO,(20101G501TD0)) [C195,C234,C189,C90]
15	0GS20102GP01T	AA		C	Ceramic capacitor(1000PF ±10% 50V SMD 0603 X7R) [C18,C150,C162,C166,C184]
	0GS20102GP01T	AA		C	Ceramic capacitor(1000PF ±10% 50V SMD 0603 X7R) [C186,C196,C245,C246,C248]
16	0GS2943130///	AD		C	Ceramic capacitor(1μF ±10% 16V X7R SMD 0603) [C19,C91,C94,C231,C237]
17	0GS2210567R2C	AC		C	Ele.capacitor(1μF/50V ±20% P=2.5 5*11 85 TD04RSMG50VB10MF25E0) [C212,C20]
18	0GS295028001T	AB		C	Ceramic capacitor(295028001TD0)(10PF ±0.5PF 50V SMD 0603 NPO) [C21-24]
19	0GS201068J02T	AD		C	Ceramic capacitor(10μF 10V +80-20% SMD 0805 Y5V) [C31,C28,C38]
20	0GS202237P01T	AA		C	C/C(0.022μF +80-20% 50V Y5V SMD0603) [C43]
21	0GS20682GP01T	AA		C	Ceramic capacitor(6800PF ±10% 50V SMD 0603 X7R) [C44,C45]
22	0GS20103GP01T	AA		C	C/C(0.01μF ±10% 50V SMD 0603 X7R(CCPB21021HWEEK)) [C46,C51,C53,C54]
23	0GS20330G501T	AA		C	Ceramic capacitor(33PF ±5% 50V NPO SMD 0603) [C47,C48]
24	0GS201060601T	AF		C	Ceramic capacitor(10μF/6.3V +10% SMD1206) [C50,C52]
25	0GS20471G501T	AB		C	Ceramic capacitor(470PF ±5% 50V SMD 0603 COG) [C1,C2]
26	0GS2210667R2C	AC		C	Ele.capacitor(10μF/50V ±20% P=2.5 5*11 85 TD04RSMG50VB10MF25E0,(2210667R2CH0)) [C79,C97,C101,C112,C123]
	0GS2210667R2C	AC		C	Ele.capacitor(10μF/50V ±20% P=2.5 5*11 85 TD04RSMG50VB10MF25E0,(2210667R2CH0)) [C134,C145,C173,C181,C199]
	0GS2210667R2C	AC		C	Ele.capacitor(10μF/50V ±20% P=2.5 5*11 85 TD04RSMG50VB10MF25E0,(2210667R2CH0)) [C238,C241]
28	0GS2222637R2C	AC		C	Ele.capacitor(22μF/16V ±20% P=2.5 5*11 85 TD04RSMG16VB22MF25E0,(2222637R2CH0)) [C161,C163,C172]
29	0GS2222867R1C	AL		C	Ele.capacitor(2200μF/50V ±20% 16*35.5mm P:7.5mm E SMG500ELL222MLP1S) [C169]
30	0GS2942450///	AA		C	Ceramic capacitor(330PF ±5% 50V CH SMD 0603 C1608CH1H331JT) [C191,C188,C71]
31	0GS233336725/	AC		C	Film capacitor(0.033μF/50V P:5mm ±20%) [C201]
32	0GS2233867F1C	AL		C	Ele.capacitor(3300μF/50V ±20% P=7.5 18*35.5 85 ESMG500ELL332MNP1S,(2233867F1CH0)) [C204]
34	0GS2222767R2C	AD		C	Ele.capacitor(220μF/50V ±20% P=5 10*12.5 85 TD04RSMG50VB220MF50E1,(2222767R2CH0)) [C206]
	0GS203348L01T	AC		C	Ceramic capacitor(0.33μF +80-20% 16V SMD 0603Y5V,(203348L01T)) [C224,C230]
	0GS203348L01T	AC		C	Ceramic capacitor(0.33μF +80-20% 16V SMD 0603Y5V,(203348L01T)) [C235,C236]
	0GS203348L01T	AC		C	Ceramic capacitor(0.33μF +80-20% 16V SMD 0603Y5V,(203348L01T)) [C239]

10 SUB PWB unit[UP-820N]

NO.	PARTS CODE	PRICE RANK	NEW MARK	PART RANK	DESCRIPTION
35	0GS231036725/	AC		C	Film capacitor(0.01μF/50V P:5mm ±20%) [C210,C211]
36	0GS2210837R2C	AD		C	Ele.capacitor(1000μF/16V ±20% P=5 10*16 85 TD03RSMG16VB1000MF50E1,(2210837R2CHO)) [C218,C216]
37	0GS2233737R2C	AC		C	Ele.capacitor(330μF/16V ±20% P=3.5 8*11.5 85 ESMG160ETD331MHB5D) [C225,C232]
38	0GS202253802T	AB		C	Ceramic capacitor(2.2μF 16V +80-20% SMD 0805) [C240]
39	0GS41410680///	AC		B	Diode(1SS355) [D1,D4,D6-12,D41]
40	0GS4141150///	AE		B	Diode(1SR159 200V 1A SOD-106) [D3,D5,D40,D28]
41	0GS4141120///	AF		B	S B diode(RB060L40) [D24-25,D30,D34-36]
42	0GS4141190///	AE		B	Diode(EC31QS06 60V 1A SMD) [D37,D38]
43	0GS3111740///	AC		C	Chip core(EFCB322513TS SMD 1210) [FB1-2,FB6-22]
44	0GS3610720///	AD		A	Fuse(TSD 500mA 250V TIME LAG 5*20mm CARTRIDGE GLASS) [F2-3]
45	0GS3610730///	AD		A	Fuse(TSD 1.6A 250V TIME LAG 5*20mm CARTRIDGE GLASS) [F4,F8,F9]
46	0GS3610710///	AD		A	Fuse(TSD 3.15A 250V TIME LAG 5*20mm CARTRIDGE) [F5]
47	0GS3610740///	AD		A	Fuse(TSD 2A 250V TIME LAG 5*20mm CARTRIDGE GLASS) [F7,F6]
48	0GS4211960///	AG		B	Logic IC(SN74LV139APWR TSSOP) [IC37]
49	0GS4232830///	AF		B	IC(BA10358FV-E2) [IC23,IC4]
50	0GS4232270///	AF		B	Logic IC(SN74LV125APWR) [IC5]
51	0GS4232300///	AE		B	Logic IC(SN74LV00APWR) [IC6]
52	0GS4232550///	AE		B	Logic IC(SN74LV08APWR) [IC20,IC27,IC53,IC55]
53	0GS4233200///	BE		B	Analog IC(ICL3241CAZ 28Ld SSOP) [IC14-17,IC19]
54	0GS4211450///	AV		B	IC Motor Driver(TA8428K(S)) [IC26]
55	0GS4152170///	AG		B	Regulator diode(KIA431F SOT-89 OUTPUT:2.2-36V) [IC28]
56	0GS4212330///	AW		B	Driver IC(SMA7036M NO1054 15pin 100V 1.5A) [IC30,IC31]
57	0GS4232700///	BA		B	Regulator IC(LM2574HVN-ADJ DIP 8) [IC33,IC36]
58	0GS4232430///	AN		B	IC(PQ1CG2032FZ TO-220 CHOPPER REGULATOR) [IC34]
59	0GS4232360///	AE		B	Comparator IC(BA10393F 36V 500mW SOP8) [IC29,IC35]
60	0GS3112010///	AK		C	Coil(180uH ±10% P:10mm D:1.0mm) [L1]
61	0GS4130290///	AF		B	MOSFET(HAT1089C-EL-E P-CHANNEL 20V 2A 850mW CMFPAK-6) [Q1]
62	0GS4121920///	AC		B	NPN transistor(DTC123EKA SC-59 50V 100mA 200mW HFE:min20) [Q2,Q3,Q33]
63	0GS4121830///	AC		B	Transistor(DTC114EKA NPN 50V 200mW SC-59) [Q4]
64	0GS4130270///	AE		B	MOSFET(2SK2731T146 N-CHANNEL 30V 200mA 200mW SC-59) [Q21]
65	0GS4130280///	AH		B	MOSFET(NTD2955T4G P-CHANNEL 60V 12A 55W DPAK) [Q22]
66	0GS4130320///	AG		B	MOS FET(2SJ511 P-CHANNEL 30V 2A 500mW SMD) [Q32]
67	0GS4130510///	AD		B	MOSFET(2SK1826(TE85L.F) SC-59 50V 50mA 200mW) [Q34,Q35]
68	0GS4121700///	AK		B	Transistor(KTD998-O NPN 120V 10A 80mW TO-3P HFE:8-160) [Q27,Q28]
69	0GS15103CB010	AA		C	Resistor(10KΩ ±5% 1/10W SMD 0603,(15103CB01000)) [R4,R11-14,R17-18]
	0GS15103CB010	AA		C	Resistor(10KΩ ±5% 1/10W SMD 0603,(15103CB01000)) [R21-25,R31-32]
	0GS15103CB010	AA		C	Resistor(10KΩ ±5% 1/10W SMD 0603,(15103CB01000)) [R40-46,R48-49,R63-68]
	0GS15103CB010	AA		C	Resistor(10KΩ ±5% 1/10W SMD 0603,(15103CB01000)) [R70,R71]
	0GS15103CB010	AA		C	Resistor(10KΩ ±5% 1/10W SMD 0603,(15103CB01000)) [R79-97,R99-106,R114]
	0GS15103CB010	AA		C	Resistor(10KΩ ±5% 1/10W SMD 0603,(15103CB01000)) [R191,R192,R198-199]
	0GS15103CB010	AA		C	Resistor(10KΩ ±5% 1/10W SMD 0603,(15103CB01000)) [R245,R246]
	0GS15103CB010	AA		C	Resistor(10KΩ ±5% 1/10W SMD 0603,(15103CB01000)) [R248,R253-256,R290,R194]
	0GS15103CB010	AA		C	Resistor(10KΩ ±5% 1/10W SMD 0603,(15103CB01000)) [R298,R299,R378,R380]
	0GS15103CB010	AA		C	Resistor(10KΩ ±5% 1/10W SMD 0603,(15103CB01000)) [R249,R195,R158,R159]
73	0GS15000CB010	AA		C	Resistor(0Ω 1/10W 0603 SMD) [R10,R16,R20,R52-55,R69]
	0GS15000CB010	AA		C	Resistor(0Ω 1/10W 0603 SMD) [R72,R76-78,R118,R123]
	0GS15000CB010	AA		C	Resistor(0Ω 1/10W 0603 SMD) [R130,R131,R134]
	0GS15000CB010	AA		C	Resistor(0Ω 1/10W 0603 SMD) [R135,R149,R176-178,R180-183,R187]
	0GS15000CB010	AA		C	Resistor(0Ω 1/10W 0603 SMD) [R193,R196,R310,R171]
	0GS15000CB010	AA		C	Resistor(0Ω 1/10W 0603 SMD) [R202-203,R242-244,R247,R249]
	0GS15000CB010	AA		C	Resistor(0Ω 1/10W 0603 SMD) [R250,R277-279,R60-61]
	0GS15000CB010	AA		C	Resistor(0Ω 1/10W 0603 SMD) [R282,R284-287,R296,R309,R312-313]
	0GS15000CB010	AA		C	Resistor(0Ω 1/10W 0603 SMD) [R315-316,R318-321,R270]
	0GS15000CB010	AA		C	Resistor(0Ω 1/10W 0603 SMD) [R330-331,R337,R346,R348,R350]
0GS15000CB010	AA		C	Resistor(0Ω 1/10W 0603 SMD) [R351,R386,R367,R385,R325]	
78	0GS1551072010	AA		C	Resistor(51Ω ±5% 1/10W SMD 0603) [R29]
79	0GS15104CB010	AA		C	Resistor(100KΩ ±5% 1/10W SMD 0603,(15104CB01000)) [R30,R33-37,R379]
	0GS15104CB010	AA		C	Resistor(100KΩ ±5% 1/10W SMD 0603,(15104CB01000)) [R333,R339]
80	0GS15330CB010	AA		C	Resistor(33Ω ±5% 1/10W SMD 0603,(15330CB01000)) [R38,R39,R47,R153,R221-225]
	0GS15330CB010	AA		C	Resistor(33Ω ±5% 1/10W SMD 0603,(15330CB01000)) [R227-241,R174,R175]
81	0GS15472CB010	AA		C	Resistor(4.7KΩ 1/10W ±5% SMD 0603) [R50,R51,R58-59,R73,R74]
	0GS15472CB010	AA		C	Resistor(4.7KΩ 1/10W ±5% SMD 0603) [R136,R138,R261,R283,R314]
	0GS15472CB010	AA		C	Resistor(4.7KΩ 1/10W ±5% SMD 0603) [R322,R334]
82	0GS15331CB010	AA		C	Resistor(330Ω ±5% 1/10W,SMD 0603,(15331CB01000)) [R56,R260,R349,R377]
83	0GS1920470///	AA		C	Resistor(49.9Ω ±1% 1/10W SMD 0603) [R109-112]
84	0GS1920430///	AA		C	Resistor(12.4KΩ ±1% 1/10W SMD 0603) [R113]
85	0GS15102AB010	AA		C	Resistor(1KΩ +/-1% 1/10W SMD 0603) [R126,R122]
86	0GS15123AB010	AA		C	Resistor(12KΩ ±1% 1/10W SMD0603) [R124]
87	0GS15473CB010	AA		C	Resistor(47KΩ ±5% 1/10W SMD 0603(ROP1JWB30473)) [R137,R146,R148,R167-169]
	0GS15473CB010	AA		C	Resistor(47KΩ ±5% 1/10W SMD 0603(ROP1JWB30473)) [R163,R1,R204]
	0GS15473CB010	AA		C	Resistor(47KΩ ±5% 1/10W SMD 0603(ROP1JWB30473)) [R251,R341,R317,R164,R165]
89	0GS15105CB010	AA		C	Resistor(1MΩ 1/16W 5% 0603) [R188-190,R384]
90	0GS15102CB010	AA		C	Resistor(1KΩ ±5% 1/10W SMD 0603,(15102CB01000)) [R147,R274,R291,R207,R311]
	0GS15102CB010	AA		C	Resistor(1KΩ ±5% 1/10W SMD 0603,(15102CB01000)) [R345,R347,R352,R211,R275]
91	0GS15123CB010	AA		C	Resistor(12KΩ ±5% 1/10W SMD 0603) [R294]
92	0GS15101CB010	AA		C	Resistor(100Ω 1/10W ±5% SMD 0603(ROP1JWB10101)) [R252,R257,R263,R133]
93	0GS15182CB010	AA		C	Resistor(1.8KΩ ±5% 1/10W SMD 0603,(15182CB01000)) [R258,R264]
94	0GS15303CB010	AA		C	Resistor(30KΩ ±5%,1/10W,SMD 0603) [R259]

10 SUB PWB unit[UP-820N]

NO.	PARTS CODE	PRICE RANK	NEW MARK	PART RANK	DESCRIPTION	
95	0GS1518370010	AA		C	Resistor(18KΩ ±1% 1/10W SMD 0603)	[R280]
96	0GS1547270010	AA		C	Resistor(4.7K Ω ±1% 1/10W SMD 0603)	[R281]
97	0GS1533470010	AA		C	Resistor(330K Ω ±1% 1/10W SMD0603)	[R289]
98	0GS154773AB010	AA		C	Resistor(47KΩ ±1% 1/10W.SMD0603)	[R292]
99	0GS15562CB010	AA		C	Resistor(5.6kΩ +/-5% 1/10W 0603)	[R293]
100	0GS15153CB010	AA		C	Resistor(15KΩ ±5% 1/10W SMD 0603(ROP1JWB30153))	[R295,R121]
101	0GS1524172010	AA		C	Resistor(240Ω ±1% 1/10W SMD 0603)	[R324]
102	0GS15333CB010	AA		C	Resistor(33KΩ 1/10W ±5% SMD 0603)	[R327]
103	0GS1591270010	AA		C	Resistor(9.1KΩ ±1% 1/10W SMD 0603,(159127001000))	[R364,R391,R392]
104	0GS15102AB010	AA		C	Resistor(1KΩ +/-1% 1/10W SMD 0603)	[R357,R355]
105	0GS15332CB010	AA		C	Resistor(3K3 Ω ±5% 1/10W SMD 0603)	[R394,R356]
106	0GS1501030070	AC		C	Resistor(1.0Ω 1W ±1% SMD 2512)	[R393,R395-397]
107	0GS15223AB010	AA		C	Resistor(22KΩ ±1% 1/10W SMD 0603)	[R358]
108	0GS1930650///	AB		B	Fusible resistor(10Ω ±5% 1/4W FRL)	[R359,R371]
109	0GS1512270010	AA		C	Resistor(1.2KΩ ±1% 1/10W SMD 0603)	[R360]
110	0GS1556222080	AA		C	Resistor(5.6KΩ ±5% 1/2W SMD 2010)	[R361,R374]
111	0GS1511370010	AA		C	Resistor(11KΩ ±1% 1/10W SMD 0603)	[R362]
112	0GS15392CB010	AA		C	Resistor(3.9KΩ ±5% 1/10W SMD 0603)	[R363]
113	0GS15272CB010	AA		C	Resistor(2.7KΩ 1/10W ±5% SMD 0603,(15272CB01000))	[R365]
114	0GS15563CB010	AA		C	Resistor(56KΩ 1/10W ±5% SMD 0603)	[R366]
115	0GS1513270010	AA		C	Resistor(1.3KΩ ±1% 1/10W SMD 0603)	[R368]
116	0GS15103AB010	AA		C	Resistor(10KΩ ±1%,1/10W.SMD0603)	[R369,R373]
117	0GS1562270010	AA		C	Resistor(6.2KΩ ±1% 1/10W SMD 0603)	[R370]
118	0GS15181CB010	AA		C	Resistor(180Ω ±5% 1/10W SMD 0603)	[R372]
119	0GS15151CB010	AA		C	Resistor(150Ω 1/10W ±5% SMD 0603)	[R375]
120	0GS1533270010	AA		C	Resistor(3.3KΩ ±1% 1/10W SMD 0603,(153327001000))	[R376]
121	0GS15000CD030	AA		C	Resistor(0Ω ±5% 1/4W SMD 1206)	[R390,R382]
122	0GS5113030///	AC		C	Pin header(3PIN P:2.54mm)	[SP1-2,SP5-10]
123	0GS5113040///	AD		C	Jumper cap(SHORT CAP 2*5*6mm) [for SP1-2,SP6-7,SP10(SHORT1-2),SP9(SHORT2-3)]	[SP1-2,SP5-10]
124	VHIXC3S25PQ-1	BD		B	IC(XC3S250E-4PQG208C)	[U1]
125	0GS4340050///	BA		B	IC(LAN9118-MT 100PIN TQFP(VHILAN9118C-1))	[U3]
126	0GS4251370///	AF		B	EEPROM(93LC46A-I/SN SOIC 8)	[U4]
127	0GS4233140///	AN		B	Regulator IC(BA33DDOT TO220FP-3 3.3V 2W 2A)	[U6]
128	0GS4233180///	AG		B	Regulator IC(BD25KA5FP T0252-3 2.5V 1.2W 500mA)	[U8]
129	0GS4233130///	AL		B	Regulator IC(BA33CCOWFP TO252-5 3.3V 1.3W 1A)	[U9]
130	0GS4233190///	AH		B	Regulator IC(BD12KA5FP T0252-3 1.2V 1.2W 500mA)	[U10]
131	0GS4233170///	AE		B	Regulator IC(BH28FBIWG SSOP5 2.8V 540mW 150mA)	[U11]
132	0GS3431420///	AK		B	Crystal(25MHz(DSX840GA))	[X1]
133	0GS3430522///	AC		B	Crystal(32.768KHz,±5PPm.2*6mm,CFS-206 PB FREE TYPE)	[X4]
134	0GS4152240///	AE		B	Zener diode(PTZTE-2513B 13.3-15V SOD106)	[ZD1]
135	0GS4152100///	AC		B	Zener diode(UDZS 5.1B 4.95-5.2V 200mW SOD-323)	[ZD2]
136	0GS4152090///	AE		B	Zener diode(PTZ6.2B 6.2-7.0V 1W SOD-106)	[ZD3]
137	0GS3521530///	AH		B	Buzzer(PKM22EPPH4002)	[BZ1]
138	0GS2920620///	AH		C	Ele.capacitor(22μF/16V ±20% A5 CASE(16SVP22M))	[C59]
139	0GS2268887A2C	AX		C	Ele.capacitor(6800μF/63V ±20% 25.4*50 P:10mm ESMH630VSN682MQ50S)	[C203]
140	0GS2233757A1C	AE		C	ELE.capacitor(330μF/35V ±20% P=5 10*12.5 85 ESMG350ETD331MJC5S)	[C207]
141	0GS4141540///	AT		B	Diode(SPB-G56S VR SMD)	[D29,D23,D39]
142	0GS4331180///	AW		B	CPU(UPD78F0521GB(S)-JET-A RH-IX2062RCPZ)	[IC10]
143	0GS4130520///	AG		B	Transistor(2SD2143TL 6V 2A SC-63)	[Q20,Q19]
144	0GS1510070010	AA		C	Resistor(10Ω ±1% 1/10W SMD 0603)	[R108,R62]
145	0GS1910610///	AB		B	Array resistor(0Ω ±5% 1/16W SMD 0603 4R8PINS)	[RP11]
146	0GS5113800///	AQ		C	Connector(ALPS SCDA4A0200)	[CN5]
147	0GS5113820///	AY		C	Connector(SI-60002-F 8PIN(QCNCW3239RCPZ))	[CN7]
148	0GS5113840///	AR		C	Connector(RJ45 S280N 8P8C 06TBK)	[J5,CN9,CN10]
149	0GS511410///	AG		C	Connector(D-SUB 9P 90D MALE W/H HEXAGONAL SCREW)	[CN12,CN13]
150	0GS5114370///	AL		C	Connector(DF11-12DP-2DS 12PINP:2.0mm)	[CN14]
151	0GS5113870///	AE		C	Connector(22-05-1032 3PIN P:2.5mm)	[CN15,CN16]
152	0GS5112940///	AC		C	Connector(VH-2A 2PIN P:3.98mm)	[CN17]
153	0GS5112570///	AA		C	Connector(TJC3-2A(BLUE) 2PIN P:2.5mm)	[CN18]
154	0GS5113880///	BA		C	Connector(53493-1078 100PIN P:0.8mm)	[J1]
155	0GS5114450///	AU		C	Connector(53553-0678 60PIN P:0.635mm)	[J11]
156	0GS5112520///	AF		C	FFC connector(1.25-2-34P P:1.25mm 34PIN)	[J14]
157	0GS2210737R2C	AB		C	Ele.capacitor(100μF/16V ±20% P=2.5 5*11 85 TD04RSMG16VB100MF25E0,(2210737R2CH0))	[C13]
158	0GS5113890///	AD		C	Connector(4PIN 1.25mm PITCH 53047-0410)	[J2]
159	0GS5250940///	AZ		B	Slide switch(MS12ASG30)	[SW2]
160	0GS201048P01T	AA		C	Ceramic capacitor(0.1μF +80%-20% 50V Y5V SMD 0603,(201048P01TD0))	[C253,C3,C7,C15,C99]
	0GS201048P01T	AA		C	Ceramic capacitor(0.1μF +80%-20% 50V Y5V SMD 0603,(201048P01TD0))	[C187,C179]
161	0GS3112000///	AL		C	Coil(330uH ±10% P:10mm D:1.0mm)	[L3]
162	0GS2233887A2C	AU		C	Ele.capacitor(3300μF/63V ±20% P:10mm 22*40 ESMG630ELL332MP40S)	[C202]
163	0GS5413201///	AA		C	Jumper wire(5mm)	[JP1,JP4-6]
164	0GS3610870///	AN		A	Thermal fuse(S2:115DEG 1A250V(AC)/1.5A125V(AC))	[TH2-4]
165	0GS6174261///	AB		C	Fuse holder [for F1-9,F11]	[for F1-9,F11]
166	0GS4212430///	AF		B	Logic IC(SN74HCT541PWR TSSOP-PW)	[IC11]
167	0GS4212270///	AL		B	Logic IC(SN74HCT08PWR TSSOP-PW)	[IC38-42,IC8]
168	0GS4212420///	AF		B	Logic IC(SN74LV157APWR TSSOP-PW)	[IC18]
169	0GS3111870///	AH		C	Coil(180UH ±10% 15*22mm P:10mm)	[L2]

10 SUB PWB unit[UP-820N]

NO.	PARTS CODE	PRICE RANK	NEW MARK	PART RANK	DESCRIPTION
170	0GS15472CB010	AA		C	Resistor(4.7KΩ 1/10W ±5% SMD 0603) [R340]
171	0GS15100CB010	AA		C	Resistor(10Ω ±5% 1/10W SMD 0603) [R170]
172	0GS5114440///	AE		C	Connector(AAA-DDR-081-K02 P:0.6mm 200PIN) [CN20]
173	0GS5112870///	AR		C	Connector(006229640003800+ PRCN 40P RH(40PIN)) [J7]
174	0GS20101G501T	AA		C	Ceramic capacitor(100PF,50V,±5%,SMD 0603,NPO,(20101G501TD0)) [C194]
175	0GS203348P02T	AC		C	Ceramic capacitor(0.33μF +80-20% 50V SMD 0805 Y5V) [C208]
176	0GS20220G501T	AA		C	Ceramic capacitor(22PF,50V,±5%,SMD 0603 NPO) [C92,C93]
177	0GS3610660///	AD		A	Fuse(TSD 1A 250V TIME LAG CARTRIDGE GLASS TUBE) [F11]
178	0GS15203CB010	AB		C	Resistor(20K Ω 1/10W ±5% SMD 0603) [R26]
179	0GS3610720///	AD		A	Fuse(TSD 500mA 250V TIME LAG 5*20mm CARTRIDGE GLASS) [F1]
180	0GS20390G501T	AA		C	Ceramic capacitor(39PF/50V ±5% SMD 0603 NPO) [C75,C76]
181	0GS4141130///	AE		B	Diode(RB160L60 60V 1A SOD-106 SCHOTTKY BARRIER) [D26-27]
182	0GS5435000///	AE		C	GND wire(AWG#18 L:290mm C:BLACK WITH TERMINAL) [SUB to MAIN CHASSIS]
183	0GS3112040///	AH		C	Ferrite core(TC-16-8-13) [SUB to MAIN CHASSIS]
184	0GS5114830///	AG		C	Pin header(RE-H(3)2TD-1130 P:2.54 3PIN) [SP3]
185	0GS5114840///	AE		C	Jumper cap(JM-2BK-61 2.54*5.08*6.0) [for SP3(SHORT 1-2 PIN)]
69	0GS15103CB010	AA		C	Resistor(10KΩ ±5% 1/10W SMD 0603,(15103CB01000)) [R172,R27-28]
	(Unit)				
901	0GSUP820NU40/	CX	N	E	Sub PWB unit

11 CPU PWB unit

NO.	PARTS CODE	PRICE RANK	NEW MARK	PART RANK	DESCRIPTION
2	0GS2943330///	AA		C	Ceramic capacitor(12PF ±5% 50V COG SMD 0402 C1005COG1H120JT) [C52,C53]
	0GS2942970///	AD		C	Ceramic capacitor(0.1μF ±10%16V X7R C1005X7R1C104KT SMD 0402) [C9,C10,C17,C22-25,C34-39]
3	0GS2942970///	AD		C	Ceramic capacitor(0.1μF ±10%16V X7R C1005X7R1C104KT SMD 0402) [C45-47,C50,C55,C151]
	0GS2942970///	AD		C	Ceramic capacitor(0.1μF ±10%16V X7R C1005X7R1C104KT SMD 0402) [C64-65,C85,C88,C91,C133-137]
	0GS2942970///	AD		C	Ceramic capacitor(0.1μF ±10%16V X7R C1005X7R1C104KT SMD 0402) [C101,C139,C143,C145-147]
5	0GS2942940///	AC		C	Ceramic capacitor(0.01μF ±10% 25V X7R C1005X7R1E103KT,SMD 0402) [C7,C8,C18-21]
	0GS2942940///	AC		C	Ceramic capacitor(0.01μF ±10% 25V X7R C1005X7R1E103KT,SMD 0402) [C30,C32]
	0GS2942940///	AC		C	Ceramic capacitor(0.01μF ±10% 25V X7R C1005X7R1E103KT,SMD 0402) [C40-42]
6	0GS2943470///	AA		C	Ceramic capacitor(220PF ±5% 50V COG SMD 0402 C1005COG1H221JT) [C141]
	0GS2943440///	AB		C	Ceramic capacitor(100PF ±5% 50V COG SMD 0402 C1005COG 1H101JT) [C125,C59]
7	0GS2943440///	AB		C	Ceramic capacitor(100PF ±5% 50V COG SMD 0402 C1005COG 1H101JT) [C148,C149]
	0GS2943440///	AB		C	Ceramic capacitor(100PF ±5% 50V COG SMD 0402 C1005COG 1H101JT) [C56]
8	0GS4232550///	AE		B	Logic IC(SN74LV08APWR) [IC1]
9	0GS4141190///	AE		B	Diode(EC31QS06 60V 1A SMD) [D1]
10	0GS4211960///	AG		B	Logic IC(SN74LV139APWR TSSOP) [IC4,IC5]
	0GS1510362090	AB		C	Resistor(10KΩ ±5% 1/16W SMD 0402) [R5,R10-11,R16,R31,R39]
	0GS1510362090	AB		C	Resistor(10KΩ ±5% 1/16W SMD 0402) [R63,R70,R72,R74,R85]
	0GS1510362090	AB		C	Resistor(10KΩ ±5% 1/16W SMD 0402) [R86,R88,R91-93]
	0GS1510362090	AB		C	Resistor(10KΩ ±5% 1/16W SMD 0402) [R107,R109,R111-112,R116-117,R120]
	0GS1510362090	AB		C	Resistor(10KΩ ±5% 1/16W SMD 0402) [R122-125,R128-132]
	0GS1510362090	AB		C	Resistor(10KΩ ±5% 1/16W SMD 0402) [R135,R138]
	0GS1510362090	AB		C	Resistor(10KΩ ±5% 1/16W SMD 0402) [R143-144,R146,R150,R152-158,R205]
	0GS1510362090	AB		C	Resistor(10KΩ ±5% 1/16W SMD 0402) [R228,R231,R239-245,R270]
	0GS1510362090	AB		C	Resistor(10KΩ ±5% 1/16W SMD 0402) [R246-247,R255-257,R259,R260,R263,R264]
	0GS1500062090	AB		C	Resistor(0Ω ±5% 1/16W SMD 0402) [R27-30,R32,R34,R38,R136-137]
15	0GS1500062090	AB		C	Resistor(0Ω ±5% 1/16W SMD 0402) [R145,R147,R196-202,R204]
	0GS1500062090	AB		C	Resistor(0Ω ±5% 1/16W SMD 0402) [R59,R61-62,R67,R206-226]
	0GS1500062090	AB		C	Resistor(0Ω ±5% 1/16W SMD 0402) [R230,R267,R268]
17	0GS1533062090	AA		C	Resistor(33Ω ±5% 1/16W SMD 0402) [R101,R140]
18	0GS1510262090	AA		C	Resistor(1KΩ ±5% 1/16W SMD 0402) [R49,R50,R79,R81,R83]
	0GS1510262090	AA		C	Resistor(1KΩ ±5% 1/16W SMD 0402) [R87,R89,R90,R94-96,R227]
19	0GS1510062090	AA		C	Resistor(10Ω ±5% 1/16W SMD 0402) [R103-106]
20	0GS1547262090	AA		C	Resistor(4.7KΩ ±5% 1/16W SMD 0402) [R142,R261-262]
21	0GS1551362090	AA		C	Resistor(51KΩ ±5% 1/16W SMD0402) [R235]
22	VHISH7760B2-1	BN		B	CPU(HD6417760BL200AV BP-256BV) [U1]
23	0GS4233210///	AP		B	IC(CY25811SXCT SOIC) [U2]
24	0GS4251290///	AX		B	SDRAM(AVS643202L-6TE 64 Mbit 86PIN TSOP(II)) [U4]
25	0GS4251320///	BA		B	Flash memory(S29GL032A90TFIR40 48PIN TSOP(VHIS29GL032-1)) [U9]
26	0GS1910660///	AC		B	Array resistor(68Ω ±5% 1/16W SMD 0402 4R8PINS) [BR36-43]
27	0GS1910570///	AK		B	Array resistor(10KΩ ±5% SMD 0402 8R 16PINS) [BR1,BR3,BR6,BR8,BR11]
	0GS1910570///	AK		B	Array resistor(10KΩ ±5% SMD 0402 8R 16PINS) [BR24,BR26,BR31,BR33]
	0GS1910580///	AC		B	Array resistor(10KΩ ±5% SMD 0402 4R 8PINS) [BR10,BR13,BR25,BR27-30]
28	0GS1910580///	AC		B	Array resistor(10KΩ ±5% SMD 0402 4R 8PINS) [BR32,BR35]
	0GS2920570///	BA		C	ELE.capacitor(10μF/10V ±20% 10SVP10M SMD) [C11,C12,C14-16,C26-29,C31]
29	0GS2920570///	BA		C	ELE.capacitor(10μF/10V ±20% 10SVP10M SMD) [C33,C43,C54, C57,C58]
	0GS2920570///	BA		C	ELE.capacitor(10μF/10V ±20% 10SVP10M SMD) [C140,C142]
30	0GS1568062090	AA		C	Resistor(68Ω ±5% 1/16W SMD 0402) [R233]
33	0GS3431410///	AP		B	Resonator(CS10-16.6667MHZ SMD 6*3.5) [OSC4]

11 CPU PWB unit

NO.	PARTS CODE	PRICE RANK	NEW MARK	PART RANK	DESCRIPTION
34	0GS4233230///	AG		B	IC(S-80122ANMC-JCHT2G S0T-23-5) [U3]
35	0GS5114340///	AT		C	Connector(BM30B-SRDS-G-TF-LF P:1.0mm 30PIN) [JF1]
36	0GS4233160///	AL		B	Regulator IC(BA15DDOWHFP HRP-5 1.5V 2.3W 2A) [U13]
37	0GS1910590///	AC		B	Array resistor(33Ω ±5% SMD 0402 4R 8PINS) [BR44-51]
38	0GS1910700///	AC		B	Resistor array(86.6Ω ±1% 1/16W SMD 0402 4R8PIN) [BR52-56]
39	0GS5114330///	AK		C	Connector(BM08B-SRSS-TB 1.0mm 8PIN) [CON1]
40	0GS1556062090	AC		C	Resistor(56Ω ±5% 1/16W SMD 0402) [R33,R35-37,R40-46,R51-58,R60,R65-66]
41	0GS4233220///	AE		B	IC(BU4820G 7V 540mW SS0P5) [U12]
42	0GS1582062090	AA		C	Resistor(82Ω ±5% 1/16W SMD 0402) [R47,R48,R64]
43	0GS5113790///	BA		C	Connector(52819-1078 100PIN P:0.8mm) [J3]
44	0GS4212340///	AE		B	Logic IC(SN74AHC32PWR TSSOP-PW) [IC18]
45	0GS4212360///	AF		B	Logic IC(SN74AHC86PWR TSSOP-PW) [IC3]
46	0GS4212280///	AE		B	Logic IC(SN74LV11APWR TSSOP-PW) [IC6]
47	0GS4212380///	AL		B	Logic IC(SN74AHC541PWR TSSOP-PW) [IC12-14]
48	0GS4212370///	AK		B	Logic IC(SN74AHC245PWR TSSOP-PW) [IC15-16]
49	0GS2920570///	BA		C	ELE.capacitor(10μF/10V ±20% 10SVP10M SMD) [C144]
50	0GS2943480///	AD		C	Ceramic capacitor(330PF ±5% 50V COG SMD 0402 C1005COG1H331JT) [C60-62,C150,C98-100]
	0GS2943480///	AD		C	Ceramic capacitor(330PF ±5% 50V COG SMD 0402 C1005COG1H331JT) [C102-117]
51	0GS20681GP09T	AA		C	Ceramic capacitor(680PF ±10% 50V JB SMD 0402 C1005JB1H681KT) [C118]
52	0GS203348L09M	AA		C	Ceramic capacitor(0.33μF +80-20% 16V SMD 0402 Y5V) [C127]
53	0GS206816609M	AA	N	C	Ceramic capacitor(680PF ±10% 50V SMD 0402) [C118]
54	0GS4251280///	BK		B	SRAM(CY62167DV30LL-55ZXI TSOP I) [IC7]
56	0GS2943480///	AD		C	Ceramic capacitor(330PF ±5% 50V COG SMD 0402 C1005COG1H331JT) [C92,C96,C97]
204	0GS5114081///	BL	N	S	Lead wire+Connector(1.25PINCH 4PIN L:900mm)
	(Unit)				
901	0GSUP820FU41/	CU	N	E	CPU PWB unit

12 Key I/F PWB unit

NO.	PARTS CODE	PRICE RANK	NEW MARK	PART RANK	DESCRIPTION
2	0GS5112520///	AF		C	FFC connector(1.25-2-34P P:1.25mm 34PIN) [CN6]
3	0GS5113980///	AN		C	Connector(IL-G-12P-S3T2-SA 12PIN P:2.5mm) [CN2]
5	0GS5112500///	AD		C	FFC connector(1.25-2-12P P:1.25mm 12PIN) [CN1]
6	0GS5112720///	AA		C	FFC connector(1.25-2-13P 13PIN P:1.25mm) [UP-810F/820F][CN3]
	0GS5112740///	AD		C	FFC connector(1.25-2-9P P:1.25mm 9PIN) [UP-820N][CN3]
7	0GS201048P01T	AA		C	Ceramic capacitor(0.1μF +80%-20% 50V Y5V SMD 0603,(201048P01TD0)) [C1-3,C5,C7,C8,C11-13]
8	0GS2210667R2C	AC		C	Ele.capacitor(10μF/50V ±20% P=2.5 5*11 85 TD04RSMG50VB10MF25E0,(2210667R2CH0)) [C4,C6,C10,C14,C15]
9	0GS4140680///	AC		B	Diode(1SS355) [D1-12,D20]
10	0GS4232270///	AF		B	Logic IC(SN74LV125APWR) [IC5,IC6]
11	0GS1910320///	AC		B	Resistor array(47K Ω*4 ±5% 1/16W SMD 0603) [RP3-10]
12	0GS15000CB010	AA		C	Resistor(0Ω 1/10W 0603 SMD) [R3]
13	0GS1910610///	AB		B	Array resistor(0Ω ±5% 1/16W SMD 0603 4R8PINS) [RP1-RP2,RP11-15]
14	0GS15472CB010	AA		C	Resistor(4.7KΩ 1/10W ±5% SMD 0603) [R1,R2,R4]
15	0GS5112480///	AN		C	FFC connector(1.0-11-15P P:1.0mm 15PIN) [CN5]
16	0GS4211790///	AK		B	Driver IC(KID65083AP DIP18) [IC7]
17	0GS4110920///	AC		B	Transistor(KTA1271 YAT/P HFE:100-320 PNP TO-92) [Q1-7]
18	0GS15123CB010	AA		C	Resistor(12KΩ ±5% 1/10W SMD 0603) [R5-11]
19	0GS151211203T	AB		C	Resistor(120Ω 1/4W,±5%,SMD 1206) [R12-18]
20	0GS4233250///	AH		B	Logic IC(SN74HC153PWR TSSOP-PW) [IC3,IC1]
21	0GS4233260///	AH		B	Logic IC(74HCT138PWR TSSOP(PW)) [IC2,IC4]
22	0GS5434430///	AC		C	GND wire(L:110mm C:BLACK) [for GND3]
23	0GS4111340///	AF		B	Digital transistor(DTA143EKA SC-59 50V 100mA 200mW) [Q8-14]
25	0GS1910320///	AC		B	Resistor array(47K Ω*4 ±5% 1/16W SMD 0603) [RP17,RP18]
	(Unit)				
901	0GSUP820F42//	BW		E	Key I/F PWB unit [UP-810F/820F]
	0GSUP820N42//	BW		E	Key I/F PWB unit for UP820N [UP-820N]

■ Index

PARTS CODE	NO.	PRICE RANK	NEW MARK	PART RANK
【 T 】				
TPAPR6656RC05	14- 1	BA		S
【 U 】				
UKOG-2357RCZZ	15- 2	BL		S
UKOG-6705RCZZ	15- 1	BC		S
【 V 】				
VHISH7760B2-1	11- 22	BN		B
VHIXC3S25PQ-1	10-124	BD		B
"	8-123	BD		B
"	9-124	BD		B
【 O 】				
0GS1500062090	11- 15	AB		C
0GS15000CB010	10- 73	AA		C
"	12- 12	AA		C
"	13- 12	AA		C
"	8- 73	AA		C
"	9- 73	AA		C
0GS15000CD030	10-121	AA		C
"	8-119	AA		C
"	9-121	AA		C
0GS1501030070	10-106	AC		C
"	9-106	AC		C
0GS1510062090	11- 19	AA		C
0GS1510070010	10-144	AA		C
"	8-143	AA		C
"	9-144	AA		C
0GS15100CB010	10-171	AA		C
"	8-173	AA		C
"	9-172	AA		C
0GS15101CB010	10- 92	AA		C
"	8- 93	AA		C
"	9- 92	AA		C
0GS1510262090	11- 18	AA		C
0GS15102AB010	10-104	AA		C
"	10- 85	AA		C
"	8- 86	AA		C
"	9-104	AA		C
"	9- 85	AA		C
0GS15102CB010	10- 90	AA		C
"	8- 91	AA		C
"	9- 90	AA		C
0GS1510362090	11- 11	AB		C
0GS15103AB010	10-116	AA		C
"	8-116	AA		C
"	9-116	AA		C
0GS15103CB010	10- 69	AA		C
"	13- 14	AA		C
"	8- 69	AA		C
"	8- 70	AA		C
"	9- 69	AA		C
0GS15104CB010	10- 79	AA		C
"	8- 80	AA		C
"	9- 79	AA		C
0GS15105CB010	10- 89	AA		C
"	8- 90	AA		C
"	9- 89	AA		C
0GS1511370010	10-111	AA		C
"	8-111	AA		C
"	9-111	AA		C
0GS151211203T	12- 19	AB		C
0GS1512270010	10-109	AA		C
"	8-109	AA		C
"	9-109	AA		C
0GS15123AB010	10- 86	AA		C
"	8- 87	AA		C
"	9- 86	AA		C
0GS15123CB010	10- 91	AA		C
"	12- 18	AA		C
"	8- 92	AA		C
"	9- 91	AA		C
0GS1513270010	10-115	AA		C
"	8-115	AA		C
"	9-115	AA		C
0GS15151CB010	10-119	AA		C
"	9-119	AA		C
0GS15153CB010	10-100	AA		C
"	8-101	AA		C
"	9-100	AA		C
0GS15181CB010	10-118	AA		C

PARTS CODE	NO.	PRICE RANK	NEW MARK	PART RANK
0GS15181CB010	9-118	AA		C
0GS15182CB010	10- 93	AA		C
"	8- 94	AA		C
"	9- 93	AA		C
0GS1518370010	10- 95	AA		C
"	8- 96	AA		C
"	9- 95	AA		C
0GS1520172010	8-104	AA		C
0GS15203CB010	10-178	AB		C
"	8- 78	AB		C
"	9-178	AB		C
0GS15223AB010	10-107	AA		C
"	8-107	AA		C
"	9-107	AA		C
0GS15223CB010	8-103	AA		C
0GS1524172010	10-101	AA		C
"	8-102	AA		C
"	9-101	AA		C
0GS15272CB010	10-113	AA		C
"	8-113	AA		C
"	9-113	AA		C
0GS15303CB010	10- 94	AA		C
"	8- 95	AA		C
"	9- 94	AA		C
0GS1533062090	11- 17	AA		C
0GS15330CB010	10- 80	AA		C
"	8- 81	AA		C
"	9- 80	AA		C
0GS15331CB010	10- 82	AA		C
"	8- 83	AA		C
"	9- 82	AA		C
0GS1533270010	10-120	AA		C
"	8-118	AA		C
"	9-120	AA		C
0GS15332CB010	10-105	AA		C
"	9-105	AA		C
0GS15333CB010	10-102	AA		C
"	8- 53	AA		C
"	9-102	AA		C
0GS1533470010	10- 97	AA		C
"	8- 98	AA		C
"	9- 97	AA		C
0GS15392CB010	10-112	AA		C
"	8-112	AA		C
"	9-112	AA		C
0GS1547262090	11- 20	AA		C
0GS1547270010	10- 96	AA		C
"	8- 97	AA		C
"	9- 96	AA		C
0GS15472CB010	10-170	AA		C
"	10- 81	AA		C
"	12- 14	AA		C
"	8- 82	AA		C
"	9-171	AA		C
"	9- 81	AA		C
0GS15473AB010	10- 98	AA		C
"	8- 99	AA		C
"	9- 98	AA		C
0GS15473CB010	10- 87	AA		C
"	13- 13	AA		C
"	8- 88	AA		C
"	9- 87	AA		C
0GS1551072010	10- 78	AA		C
"	8- 79	AA		C
"	9- 78	AA		C
0GS1551362090	11- 21	AA		C
0GS1556062090	11- 40	AC		C
0GS1556222080	10-110	AA		C
"	8-110	AA		C
"	9-110	AA		C
0GS15562CB010	10- 99	AA		C
"	8-100	AA		C
"	9- 99	AA		C
0GS15563CB010	10-114	AA		C
"	8-114	AA		C
"	9-114	AA		C
0GS1562270010	10-117	AA		C
"	8-117	AA		C
"	9-117	AA		C
0GS1568062090	11- 30	AA		C
0GS15753CB010	8-105	AA		C

PARTS CODE	NO.	PRICE RANK	NEW MARK	PART RANK
0GS1582062090	11- 42	AA		C
0GS1591270010	10-103	AA		C
"	8-106	AA		C
"	9-103	AA		C
0GS1910320///	12- 11	AC		B
"	12- 25	AC		B
0GS1910360///	10- 6	AA		B
"	8- 5	AA		B
"	9- 6	AA		B
0GS1910490///	10- 7	AA		B
"	8- 6	AA		B
"	9- 7	AA		B
0GS1910570///	11- 27	AK		B
0GS1910580///	11- 28	AC		B
0GS1910590///	11- 37	AC		B
0GS1910610///	10-145	AB		B
"	12- 13	AB		B
"	8-144	AB		B
"	9-145	AB		B
0GS1910660///	11- 26	AC		B
0GS1910700///	11- 38	AC		B
0GS1920430///	10- 84	AA		C
"	8- 85	AA		C
"	9- 84	AA		C
0GS1920470///	10- 83	AA		C
"	8- 84	AA		C
"	9- 83	AA		C
0GS1930650///	10-108	AB		B
"	8-108	AB		B
"	9-108	AB		B
0GS20101G501T	10- 13	AA		C
"	10-174	AA		C
"	8- 13	AA		C
"	8-171	AA		C
"	9- 13	AA		C
"	9-175	AA		C
0GS20102GP01T	10- 15	AA		C
"	8- 15	AA		C
"	9- 15	AA		C
0GS20103GP01T	10- 22	AA		C
"	13- 7	AA		C
"	8- 22	AA		C
"	9- 22	AA		C
0GS201048P01T	10-160	AA		C
"	10- 8	AA		C
"	12- 7	AA		C
"	13- 5	AA		C
"	8-161	AA		C
"	8- 7	AA		C
"	9- 11	AA		C
"	9-160	AA		C
"	9- 8	AA		C
0GS201060601T	10- 24	AF		C
"	8- 25	AF		C
"	9- 24	AF		C
0GS201068J02T	10- 19	AD		C
"	8- 19	AD		C
"	9- 19	AD		C
0GS20220G501T	10-176	AA		C
"	8- 24	AA		C
"	9-177	AA		C
0GS202237P01T	10- 20	AA		C
"	8- 20	AA		C
"	9- 20	AA		C
0GS202253802T	10- 38	AB		C
"	8- 39	AB		C
"	9- 38	AB		C
0GS20330G501T	10- 23	AA		C
"	8- 23	AA		C
"	9- 23	AA		C
0GS203348L01T	10- 34	AC		C
"	8- 35	AC		C
"	9- 34	AC		C
0GS203348L09M	11- 52	AA		C
0GS203348P02M	8-174	AC		C
0GS203348P02T	10-175	AC		C
"	8- 58	AC		C
"	9-176	AC		C
0GS20390G501M	8-120	AA		C
0GS20390G501T	10-180	AA		C
"	9-180	AA		C

PARTS CODE	NO.	PRICE RANK	NEW MARK	PART RANK
0GS20471G501T	10- 25	AB		C
"	8- 26	AB		C
"	9- 25	AB		C
0GS206816609M	11- 53	AA	N	C
0GS20681GP09T	11- 51	AA		C
0GS20682GP01T	10- 21	AA		C
"	8- 21	AA		C
"	9- 21	AA		C
0GS2210567R2C	10- 17	AC		C
"	8- 17	AC		C
"	9- 17	AC		C
0GS2210667R2C	10- 26	AC		C
"	12- 8	AC		C
"	8- 27	AC		C
"	9- 26	AC		C
0GS2210737R2C	10-157	AB		C
"	8- 12	AB		C
"	9-158	AB		C
0GS2210767R2C	8- 31	AC		C
0GS2210837R2C	10- 36	AD		C
"	8- 37	AD		C
"	9- 36	AD		C
0GS2222637R2C	10- 28	AC		C
"	8- 28	AC		C
"	9- 28	AC		C
0GS2222767R2C	10- 33	AD		C
"	8- 34	AD		C
"	9- 33	AD		C
0GS2222867R1C	10- 29	AL		C
"	8- 29	AL		C
"	9- 29	AL		C
0GS2233737R2C	10- 37	AC		C
"	8- 38	AC		C
"	9- 37	AC		C
0GS2233757A1C	10-140	AE		C
"	8-140	AE		C
"	9-140	AE		C
0GS2233867F1C	10- 32	AL		C
"	8- 33	AL		C
"	9- 32	AL		C
0GS2233887A2C	10-162	AU		C
"	8-160	AU		C
"	9-162	AU		C
0GS2247637R2C	10- 12	AC		C
"	8- 11	AC		C
"	9- 12	AC		C
0GS2268887A2C	10-139	AX		C
"	8-139	AX		C
"	9-139	AX		C
0GS231036725/	10- 35	AC		C
"	8- 36	AC		C
"	9- 35	AC		C
0GS231047725/	10- 4	AF		C
"	8- 4	AF		C
"	9- 4	AF		C
0GS233336725/	10- 31	AC		C
"	8- 32	AC		C
"	9- 31	AC		C
0GS2920570///	11- 29	BA		C
"	11- 49	BA		C
"	13- 6	BA		C
0GS2920620///	10-138	AH		C
"	8-138	AH		C
"	9-138	AH		C
0GS2942450///	10- 30	AA		C
"	8- 30	AA		C
"	9- 30	AA		C
0GS2942940///	11- 5	AC		C
0GS2942970///	11- 3	AD		C
0GS2943130///	10- 16	AD		C
"	8- 16	AD		C
"	9- 16	AD		C
0GS2943330///	11- 2	AA		C
0GS2943440///	11- 7	AB		C
0GS2943470///	11- 6	AA		C
0GS2943480///	11- 50	AD		C
"	11- 56	AD		C
0GS295028001T	10- 18	AB		C
"	8- 18	AB		C
"	9- 18	AB		C
0GS3111580///	1- 13	AF		C

PARTS CODE	NO.	PRICE RANK	NEW MARK	PART RANK
0GS3111580///	2- 13	AF		C
0GS3111740///	10- 43	AC		C
"	13- 9	AC		C
"	8- 45	AC		C
"	9- 43	AC		C
0GS3111760///	1- 22	AH		C
"	2- 22	AH		C
0GS3111820///	1- 64	AH		C
"	2- 64	AH		C
0GS3111870///	10- 169	AH		C
"	8- 169	AH		C
"	9- 170	AH		C
0GS3111980///	10- 3	AH		C
"	8- 2	AH		C
"	9- 3	AH		C
0GS3112000///	10- 161	AL		C
"	8- 159	AL		C
"	9- 161	AL		C
0GS3112010///	10- 60	AK		C
"	8- 62	AK		C
"	9- 60	AK		C
0GS3112040///	10- 183	AH		C
"	1- 29	AH		C
"	2- 29	AH		C
"	8- 180	AH		C
"	9- 183	AH		C
0GS3130370///	1- 18	BQ	N	B
"	2- 18	BQ	N	B
0GS3430522///	10- 133	AC		B
"	8- 133	AC		B
"	9- 133	AC		B
0GS3431410///	11- 33	AP		B
0GS3431420///	10- 132	AK		B
"	8- 132	AK		B
"	9- 132	AK		B
0GS3521530///	10- 137	AH		B
"	8- 137	AH		B
"	9- 137	AH		B
0GS3540070///	7- 26	AY		B
0GS3610660///	10- 177	AD		A
"	8- 164	AD		A
"	9- 165	AD		A
0GS3610710///	10- 46	AD		A
"	8- 48	AD		A
"	9- 46	AD		A
0GS3610720///	10- 179	AD		A
"	10- 44	AD		A
"	8- 46	AD		A
"	9- 179	AD		A
"	9- 44	AD		A
0GS3610730///	10- 45	AD		A
"	8- 47	AD		A
"	9- 45	AD		A
0GS3610740///	10- 47	AD		A
"	8- 49	AD		A
"	9- 47	AD		A
0GS3610870///	10- 164	AN		A
"	8- 163	AN		A
"	9- 164	AN		A
0GS4110920///	12- 17	AC		B
0GS4111340///	12- 23	AF		B
0GS4121700///	10- 68	AK		B
"	8- 68	AK		B
"	9- 68	AK		B
0GS4121830///	10- 63	AC		B
"	8- 65	AC		B
"	9- 63	AC		B
0GS4121920///	10- 62	AC		B
"	8- 64	AC		B
"	9- 62	AC		B
0GS4130270///	10- 64	AE		B
"	8- 66	AE		B
"	9- 64	AE		B
0GS4130280///	10- 65	AH		B
"	8- 67	AH		B
"	9- 65	AH		B
0GS4130290///	10- 61	AF		B
"	8- 63	AF		B
"	9- 61	AF		B
0GS4130320///	10- 66	AG		B
"	9- 66	AG		B

PARTS CODE	NO.	PRICE RANK	NEW MARK	PART RANK
0GS4130510///	10- 67	AD		B
"	9- 67	AD		B
0GS4130520///	10- 143	AG		B
"	8- 142	AG		B
"	9- 143	AG		B
0GS4140680///	10- 39	AC		B
"	12- 9	AC		B
"	13- 8	AC		B
"	8- 40	AC		B
"	9- 39	AC		B
0GS4141120///	10- 41	AF		B
"	8- 43	AF		B
"	9- 41	AF		B
0GS4141130///	10- 181	AE		B
"	8- 42	AE		B
"	9- 181	AE		B
0GS4141150///	10- 40	AE		B
"	8- 41	AE		B
"	9- 40	AE		B
0GS4141190///	10- 42	AE		B
"	11- 9	AE		B
"	8- 44	AE		B
"	9- 42	AE		B
0GS4141540///	10- 141	AT		B
"	8- 141	AT		B
"	9- 141	AT		B
0GS4141580///	10- 5	AN		B
"	8- 178	AN		B
"	9- 5	AN		B
0GS4152090///	10- 136	AE		B
"	8- 136	AE		B
"	9- 136	AE		B
0GS4152100///	10- 135	AC		B
"	8- 135	AC		B
"	9- 135	AC		B
0GS4152170///	10- 55	AG		B
"	8- 57	AG		B
"	9- 55	AG		B
0GS4152240///	10- 134	AE		B
"	8- 134	AE		B
"	9- 134	AE		B
0GS4211450///	10- 54	AV		B
"	8- 55	AV		B
"	9- 54	AV		B
0GS4211790///	12- 16	AK		B
0GS4211960///	10- 48	AG		B
"	11- 10	AG		B
"	8- 170	AG		B
"	9- 48	AG		B
0GS4212270///	10- 167	AL		B
"	8- 168	AL		B
"	8- 177	AL		B
"	9- 168	AL		B
0GS4212280///	11- 46	AE		B
0GS4212310///	8- 126	AV		B
0GS4212330///	10- 56	AW		B
"	9- 56	AW		B
0GS4212340///	11- 44	AE		B
0GS4212360///	11- 45	AF		B
0GS4212370///	11- 48	AK		B
0GS4212380///	11- 47	AL		B
0GS4212420///	10- 168	AF		B
"	8- 167	AF		B
"	9- 169	AF		B
0GS4212430///	10- 166	AF		B
"	8- 166	AF		B
"	9- 167	AF		B
0GS4232270///	10- 50	AF		B
"	12- 10	AF		B
"	8- 51	AF		B
"	9- 50	AF		B
0GS4232300///	10- 51	AE		B
"	8- 52	AE		B
"	9- 51	AE		B
0GS4232360///	10- 59	AE		B
"	8- 61	AE		B
"	9- 59	AE		B
0GS4232430///	10- 58	AN		B
"	8- 60	AN		B
"	9- 58	AN		B
0GS4232550///	10- 52	AE		B

PARTS CODE	NO.	PRICE RANK	NEW MARK	PART RANK
0GS4232550///	11- 8	AE		B
"	8- 56	AE		B
"	9- 52	AE		B
0GS4232700///	10- 57	BA		B
"	8- 59	BA		B
"	9- 57	BA		B
0GS4232830///	10- 49	AF		B
"	8- 50	AF		B
"	9- 49	AF		B
0GS4233130///	10-129	AL		B
"	8-129	AL		B
"	9-129	AL		B
0GS4233140///	10-127	AN		B
"	8-127	AN		B
"	9-127	AN		B
0GS4233160///	11- 36	AL		B
0GS4233170///	10-131	AE		B
"	8-131	AE		B
"	9-131	AE		B
0GS4233180///	10-128	AG		B
"	8-128	AG		B
"	9-128	AG		B
0GS4233190///	10-130	AH		B
"	8-130	AH		B
"	9-130	AH		B
0GS4233200///	10- 53	BE		B
"	8- 54	BE		B
"	9- 53	BE		B
0GS4233210///	11- 23	AP		B
0GS4233220///	11- 41	AE		B
0GS4233230///	11- 34	AG		B
0GS4233250///	12- 20	AH		B
0GS4233260///	12- 21	AH		B
0GS4251280///	11- 54	BK		B
0GS4251290///	11- 24	AX		B
0GS4251320///	11- 25	BA		B
0GS4251370///	10-126	AF		B
"	8-125	AF		B
"	9-126	AF		B
0GS4314600///	13- 15	AR		B
0GS4331180///	10-142	AW		B
"	8-175	AW		B
"	9-142	AW		B
0GS4331320///	8-176	AW		B
0GS4340050///	10-125	BA		B
"	8-124	BA		B
"	9-125	BA		B
0GS4422630///	3- 18	CK		E
0GS4422650///	3- 21	BP		E
0GS5111410///	10-149	AG		C
"	8-147	AG		C
"	9-149	AG		C
0GS5112480///	12- 15	AN		C
0GS5112500///	12- 5	AD		C
0GS5112520///	10-156	AF		C
"	12- 2	AF		C
"	8-156	AF		C
"	9-157	AF		C
0GS5112570///	10-153	AA		C
"	8-151	AA		C
"	9-153	AA		C
0GS5112720///	12- 6	AA		C
0GS5112740///	12- 6	AD		C
0GS5112870///	10-173	AR		C
"	9-174	AR		C
0GS5112940///	10-152	AC		C
"	8-150	AC		C
"	9-152	AC		C
0GS5113030///	10-122	AC		C
"	8-121	AC		C
"	9-122	AC		C
0GS5113040///	10-123	AD		C
"	8-122	AD		C
"	9-123	AD		C
0GS5113050///	2- 19	AH		C
0GS5113790///	11- 43	BA		C
0GS5113800///	10-146	AQ		C
"	8-145	AQ		C
"	9-146	AQ		C
0GS5113820///	10-147	AY		C
"	9-147	AY		C

PARTS CODE	NO.	PRICE RANK	NEW MARK	PART RANK
0GS5113840///	10-148	AR		C
"	8-146	AR		C
"	9-148	AR		C
0GS5113870///	10-151	AE		C
"	8-149	AE		C
"	9-151	AE		C
0GS5113880///	10-154	BA		C
"	8-152	BA		C
"	9-154	BA		C
0GS5113890///	10-158	AD		C
"	8-153	AD		C
"	9-155	AD		C
0GS5113900///	8-181	AS		C
0GS5113950///	13- 3	AK		C
0GS5113970///	13- 11	AF		C
0GS5113980///	12- 3	AN		C
0GS5113990///	8-154	AR		C
0GS5114020///	1- 19	AL		C
0GS5114041///	3- 9	AR		C
0GS5114042///	15- 4	BP	N	S
0GS5114050///	3- 8	AC		C
0GS5114051///	15- 5	BX	N	S
0GS5114070///	3- 3	AF		C
0GS5114080///	3- 12	AM		C
0GS5114081///	11-204	BL	N	S
"	15- 7	BL		S
0GS5114210///	1- 21	AK		C
"	2- 21	AK		C
0GS5114211///	15- 6	BH	N	S
0GS5114330///	11- 39	AK		C
0GS5114340///	11- 35	AT		C
0GS5114370///	10-150	AL		C
"	8-148	AL		C
"	9-150	AL		C
0GS5114380///	13- 4	AK		C
0GS5114390///	13- 10	AT		C
0GS5114440///	10-172	AE		C
"	8-172	AE		C
"	9-173	AE		C
0GS5114450///	10-155	AU		C
"	8-155	AU		C
"	9-156	AU		C
0GS5114460///	8-157	AE		C
0GS5114490///	1- 68	AF		C
0GS5114580///	1- 3	AG		C
"	2- 3	AG		C
0GS5114830///	10-184	AG		C
"	8-182	AG		C
"	9-184	AG		C
0GS5114840///	10-185	AE		C
"	8-183	AE		C
"	9-185	AE		C
0GS5250910///	7- 25	AR		B
0GS5250940///	10-159	AZ		B
"	8-158	AZ		B
"	9-159	AZ		B
0GS5413201///	10-163	AA		C
"	8-162	AA		C
"	9-163	AA		C
0GS5423540///	1- 12	AT	N	B
"	2- 12	AT	N	B
0GS5434430///	12- 22	AC		C
0GS5435000///	10-182	AE		C
"	8-179	AE		C
"	9-182	AE		C
0GS5435010///	1- 28	AG		C
"	2- 28	AG		C
0GS5435020///	1- 90	AE		C
0GS5435050///	1- 83	AE		C
"	2- 83	AE		C
0GS5441120///	7- 50	AA		C
0GS5441460///	1- 96	AA		C
"	2- 96	AA		C
0GS5441470///	1- 14	AA		C
"	2- 14	AA		C
0GS5441490///	2- 89	AD		C
0GS5536130///	4- 6	BC		C
0GS5561830///	7- 38	AF		C
0GS5561840///	7- 4	AF		C
0GS5561850///	7- 30	AD		C
0GS5561860///	7- 31	AF		C

PARTS CODE	NO.	PRICE RANK	NEW MARK	PART RANK
0GS5610200///	3- 14	BP		E
0GS5627770///	4- 7	AR		C
0GS5627780///	5- 11	AQ		C
0GS5700210///	1- 49	CB		E
0GS6114420///	1- 6	AZ		D
"	2- 6	AZ		D
0GS6114430///	3- 24	AK		D
0GS6124150///	3- 2	AN		D
0GS6124910///	1- 37	AW	N	D
"	2- 37	AW	N	D
0GS6131720///	5- 8	AT		D
0GS6131730///	2- 57	AX		D
0GS6131740///	1- 57	AY		D
0GS6131750///	1- 5	AH		D
"	2- 5	AH		D
0GS6131760///	1- 7	AF		D
"	2- 7	AF		D
0GS6131771///	1- 40	AD	N	D
"	2- 40	AD	N	D
0GS6131790///	1- 88	AD		D
"	2- 88	AD		D
0GS6131801///	1- 39	AE	N	D
"	2- 39	AE	N	D
0GS6131810///	1- 44	AN		D
"	2- 44	AN		D
0GS6131820///	1- 62	AW		D
"	2- 62	AW		D
0GS6131830///	1- 45	AF		D
0GS6131840///	1- 36	AF		D
"	2- 36	AF		D
0GS6146130///	2- 85	AN		D
0GS6146160///	5- 1	AC		D
0GS6146170///	5- 2	AC		D
0GS6146310///	1- 4	AL		D
"	2- 4	AL		D
0GS6158170///	5-105	AA		C
0GS6158230///	5- 6	AA		C
0GS6158240///	5- 5	AA		C
0GS6159700///	5- 9	AT		D
0GS6160850///	6-101	AE		C
0GS6160980///	6-102	AK		C
0GS6161800///	7- 13	AC		C
0GS6162040///	7- 45	AF		C
0GS6162140///	1- 55	AC		C
"	2- 55	AC		C
0GS6162150///	1- 56	AC		C
"	2- 56	AC		C
0GS6162160///	1- 50	AF		C
0GS6162170///	3- 15	AE		D
0GS6162180///	1- 70	AH		C
0GS6162190///	1- 71	AH		C
0GS6162410///	1- 1	AN		D
"	2- 1	AN		D
0GS6162500///	1- 53	AC		D
"	2- 53	AC		D
0GS6162530///	7- 42	AT	N	D
0GS6162540///	7- 7	AL	N	D
0GS6162550///	7- 8	AC	N	C
0GS6174261///	10-165	AB		C
"	8-165	AB		C
"	9-166	AB		C
0GS6180730///	1- 10	AE		C
"	2- 10	AE		C
0GS6180740///	4- 5	AU		D
0GS6180750///	1- 61	AF		D
"	2- 61	AF		D
0GS6180760///	2- 86	AE		C
0GS6180770///	1- 46	AF		D
0GS6180790///	2- 58	AL		D
0GS6180800///	1- 58	AU		D
0GS6180820///	1- 41	AD		C
"	2- 41	AD		C
0GS6180830///	1- 42	AD		C
"	2- 42	AD		C
0GS6180970///	3- 7	AC		C
0GS6181140///	1- 75	AC		C
"	2- 75	AC		C
0GS6181150///	1- 47	AC		D
0GS6192020///	5-104	AD		C
0GS6252740///	1- 80	AH		C
"	2- 80	AH		C

PARTS CODE	NO.	PRICE RANK	NEW MARK	PART RANK
0GS6252750///	1- 82	AH		C
"	2- 82	AH		C
0GS6312120///	2- 59	AG		D
0GS6312130///	3- 13	AF		C
0GS6312550///	4- 2	AL		C
0GS6313580///	4- 3	AH		C
0GS6315140///	3- 19	AG		C
0GS6316280///	3- 20	AE		C
0GS6317460///	1- 94	AB		C
0GS6318731///	3- 23	AD		C
0GS6318960///	3- 17	AN		C
0GS6319231///	3- 22	AF		C
0GS6323510///	7- 34	AE		D
0GS6323520///	7- 32	AD		C
0GS6323580///	4- 1	AY		D
0GS6323590///	4- 9	AX		D
0GS6324060///	1- 33	AD		D
"	2- 33	AD		D
0GS6324240///	7- 2	AQ	N	C
0GS6324250///	7- 49	AK	N	C
0GS6326300///	5- 10	AZ		C
0GS6330050///	5- 4	AC		C
0GS6330450///	7- 44	AC		C
0GS6330460///	7- 10	AE		C
0GS6348220///	7- 5	AG		C
0GS6348230///	7- 36	AW		D
0GS6348250///	7- 15	AV		D
0GS6348400///	4- 8	AV		D
0GS6348410///	5- 13	AU		D
0GS6348421///	1- 34	AZ		D
"	2- 34	AZ		D
0GS6348430///	1- 26	AM		C
"	2- 26	AM		C
0GS6348450///	1- 27	AM		C
"	2- 27	AM		C
0GS6348460///	1- 51	AN		C
"	2- 51	AN		C
0GS6348470///	3- 16	AR		C
0GS6348520///	1- 32	AL		D
"	2- 32	AL		D
0GS6348530///	3- 11	AY		C
0GS6348570///	1- 79	AD		D
"	2- 79	AD		D
0GS6350200///	2- 59	AG		D
0GS6350210///	1- 59	AF		D
0GS6350390///	4- 2	AL		C
0GS6350610///	3- 25	AD		C
0GS6350620///	1- 65	AF		C
"	2- 65	AF		C
0GS6411210///	7- 14	AX		D
0GS6411221///	7- 27	AV		D
0GS6411250///	7- 23	AW		E
0GS6411360///	5- 3	AZ		C
0GS6411440///	7- 1	BP		D
0GS6411510///	1- 30	AF		C
"	2- 30	AF		C
0GS6411590///	5- 7	BA	N	C
0GS6512410///	1- 17	AA		C
"	2- 17	AA		C
0GS6720020///	7- 12	AB		C
0GS6801021///	1- 60	AC		C
"	2- 60	AC		C
0GS6802010///	7- 29	AC		C
0GS6802014///	1- 16	AB		C
"	2- 16	AB		C
0GS6807001///	3- 10	AC		C
0GS6807007///	2- 48	AA		C
0GS6807018///	1- 95	AC		C
0GS6807036///	2- 87	AA		C
0GS6807037///	1- 48	AB		C
0GS6808002///	3- 4	AA		C
0GS6808009///	1- 25	AB		C
"	2- 25	AB		C
0GS6808022///	1- 66	AC		C
0GS6808025///	1- 11	AB		C
"	2- 11	AB		C
0GS6808027///	7- 28	AC		C
0GS6808031///	2- 66	AC		C
0GS6808046///	2- 91	AB		C
0GS6808047///	7- 24	AC		C
0GS6809001///	7- 37	AB		C

SHARP

COPYRIGHT © 2008 BY SHARP CORPORATION

All rights reserved.

Printed in Japan.

No part of this publication may be reproduced,
stored in a retrieval system, or transmitted.

In any form or by any means,
electronic, mechanical, photocopying, recording, or otherwise,
without prior written permission of the publisher.

SHARP CORPORATION
Information and Communication Systems Group
CS Promotion Center
Yamatokoriyama, Nara 639-1186, Japan

2008 May Printed in Japan (i)